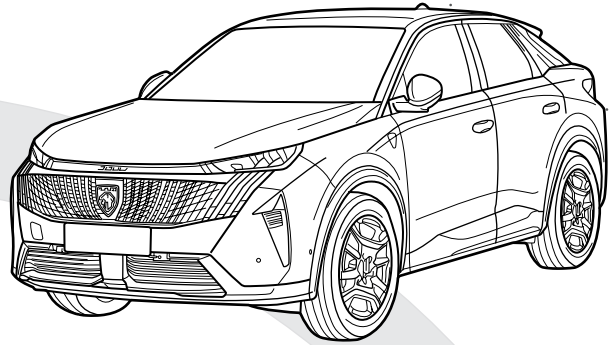




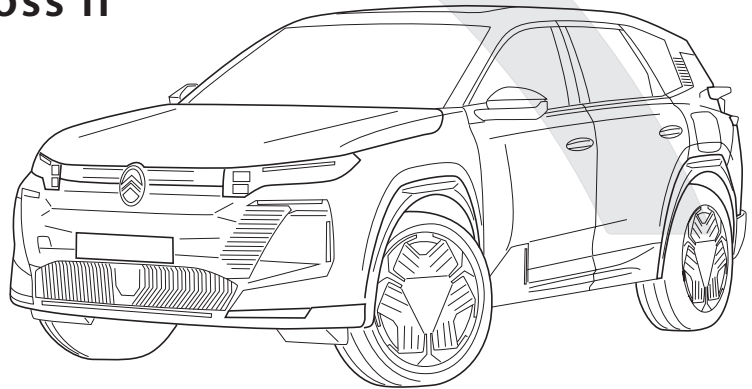
## Peugeot 3008 III (KA, KB, KC) 11/'23-

- ✓ PHEV
- ✓ EV
- ✓ GT-LINE
- ✓ ALURE



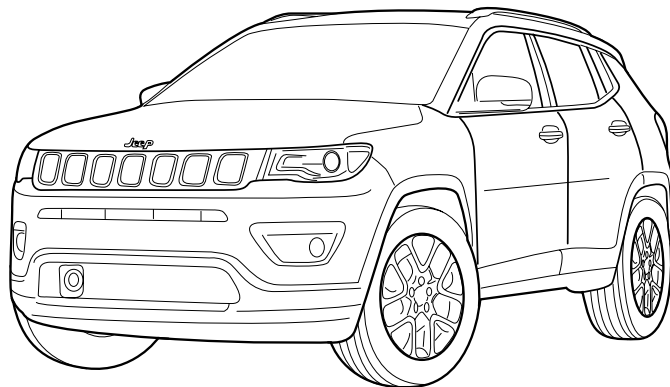
## Citroën C5 Aircross II 07/'25-

- ✓ PHEV
- ✓ EV
- ✓ YOU
- ✓ PLUS
- ✓ BUSINESS
- ✓ MAX



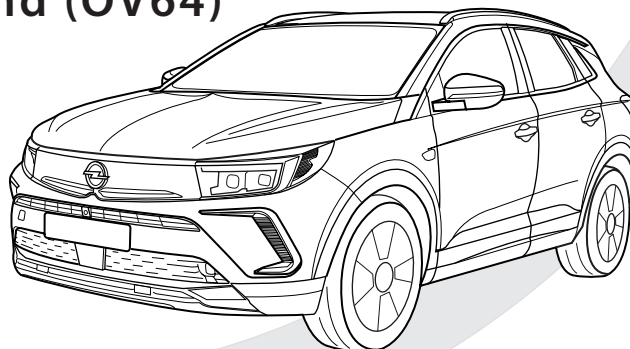
## Jeep Compass 3 (J4U) 05/'25-

- ✓ PHEV
- ✓ EV
- ✓ ALTITUDE
- ✓ SUMMIT



## Opel Grandland (OV64) 10/'24-

- ✓ HYBRID
- ✓ EV
- ✓ GS-LINE



SCAN FOR THE  
LATEST VERSION



## NL Belangrijke raadgevingen

### Montage

- Voor de montage moet de trekhaak eerst op het voertuig gepresenteerd worden.

De belasting van een aanhangwagen en van een accessoire dat op de koppelingskogel wordt voorzien, zijn anders van aard. Voor beiden kunnen verschillende limieten van toepassing zijn. Hiervoor verwijzen we naar het instructieboekje van de wagen of naar uw concessiehouder.

## FR Recommandations importantes

### Montage

- Présenter l'attelage sous le véhicule avant d'effectuer le montage.

La charge d'une remorque ou d'un accessoire monté sur la boule d'attelage, sont de nature différentes. Des limites différentes peuvent s'appliquer à l'un et à l'autre. Nous vous recommandons de vous référer à votre livret d'instructions ou de vous renseigner chez votre concessionnaire.

## EN General instructions

### Fitting

- Present the towbar under the car first to check if all points are right.

The load of a trailer and of an accessory fitted on the towing ball are of a different nature. Different limits may apply to both. For this matter, we refer to the instruction manual of the vehicle or we advise you to contact your concessionaire.

## DE Allgemeine Hinweise

### Montage

- Halten Sie die Anhängerkupplung zunächst unter das Fahrzeug und prüfen Sie, ob alle Punkte übereinstimmen.

Die Last eines Anhängers und die Last eines an der Zugkugel montierten Zubehörs unterscheiden sich grundsätzlich. Für beide können unterschiedliche Grenzwerte gelten. Wir verweisen diesbezüglich auf die Betriebsanleitung des Fahrzeugs oder empfehlen Ihnen, sich an Ihren Vertragshändler zu wenden.

## ES Instrucciones generales

### Montaje

- Presentar el enganche debajo del vehículo antes de realizar el montaje.

La carga de un remolque y un accesorio montado en una bola de remolque son de una naturaleza diferente. Se pueden aplicar diferentes límites a ambos. Para este asunto, nos referimos al manual de instrucciones del vehículo o le recomendamos que contacte a su distribuidor.

## DK Generelle instruktioner

### Montering

- Præsenter trækstangen under bilen først for at kontrollere, om alle punkter er rigtige.

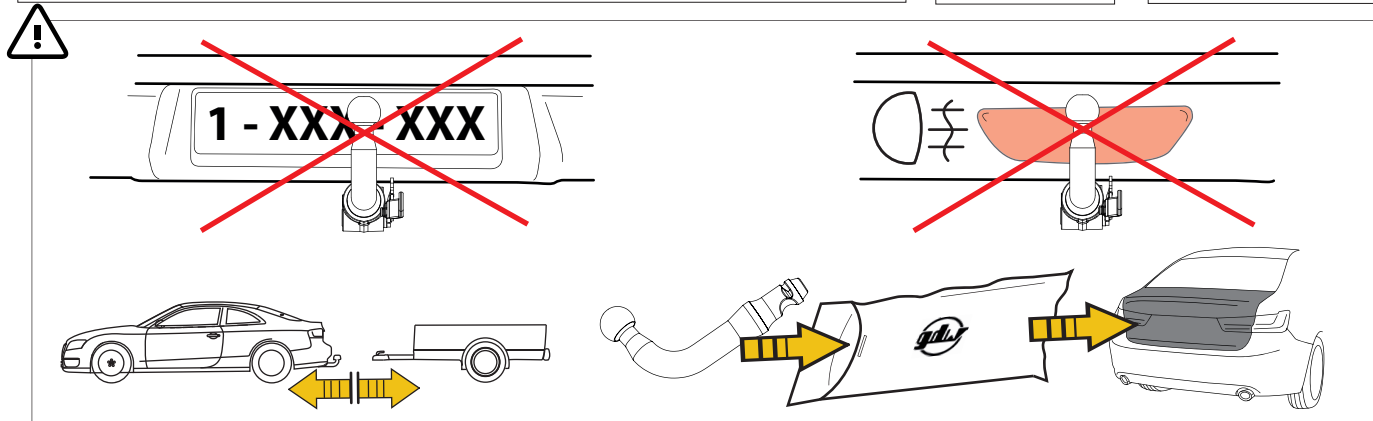
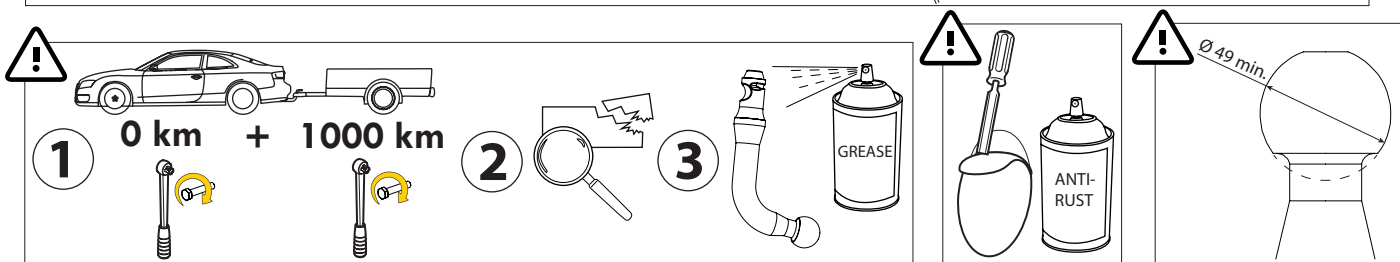
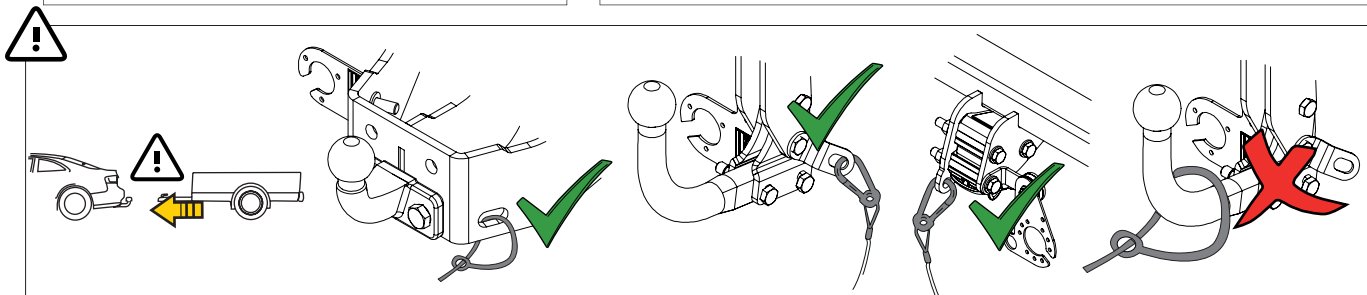
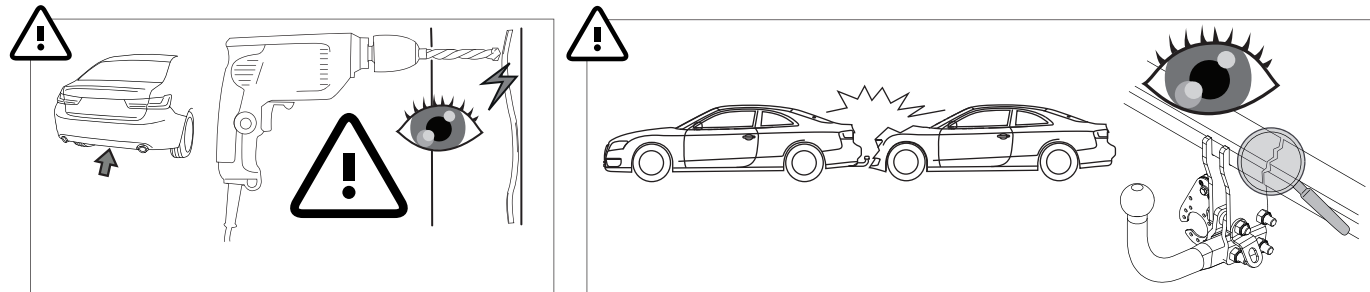
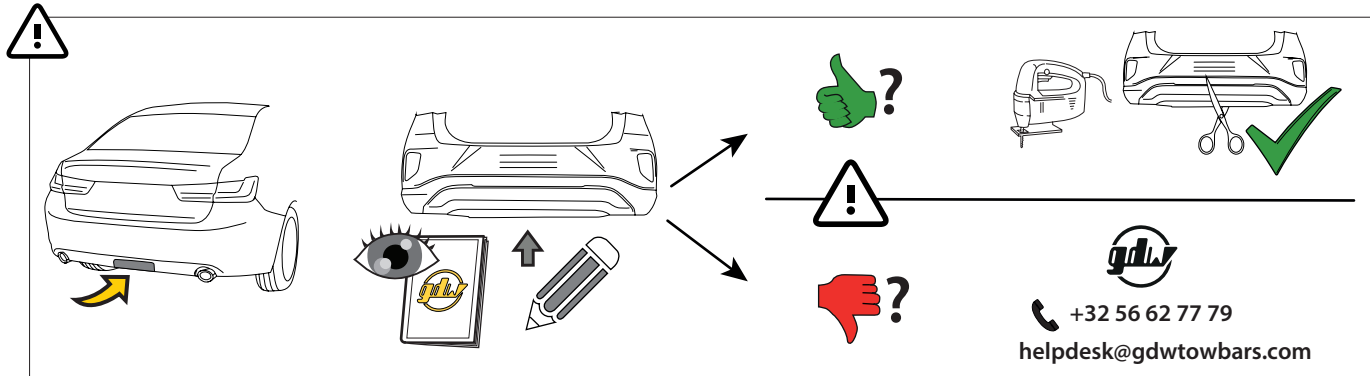
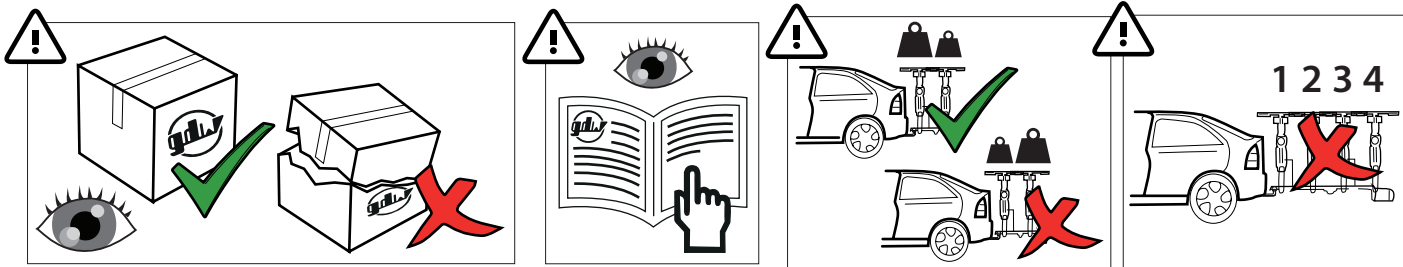
Belastningen af en trailer og af tilbehør tilkoblet anhængertrækket er forskellige. Der kan være forskellige begrænsninger på begge. I disse tilfælde henviser vi til bilens manual, eller anbefaler dig at kontakte bilforhandleren




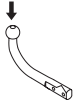
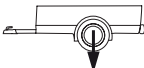
## IT Consigli importanti

### Montaggio

- In primo luogo, presentare la struttura sotto l'automobile per verificare che tutti i punti di attacco coincidano.

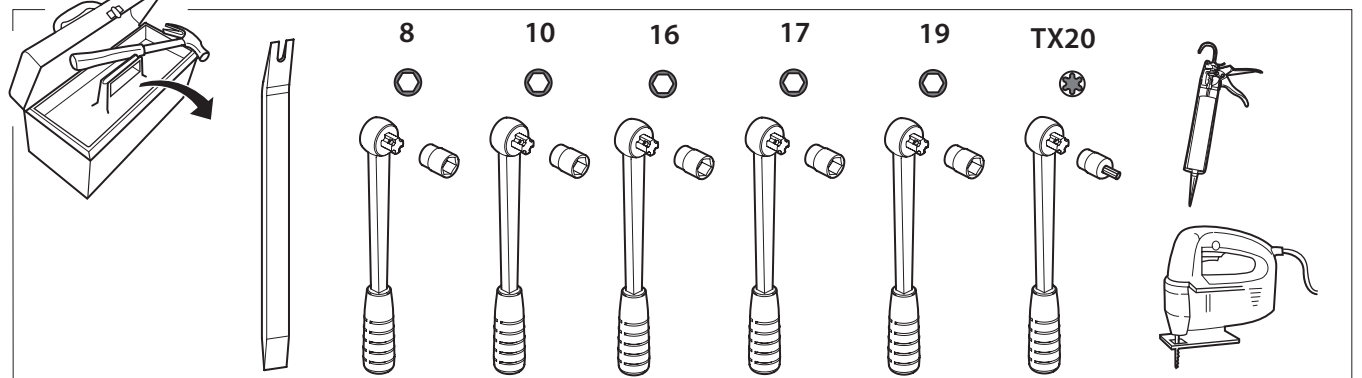
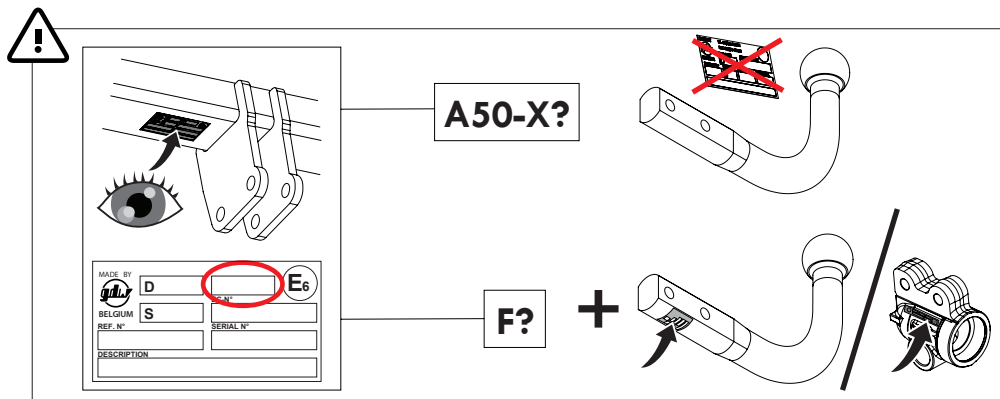
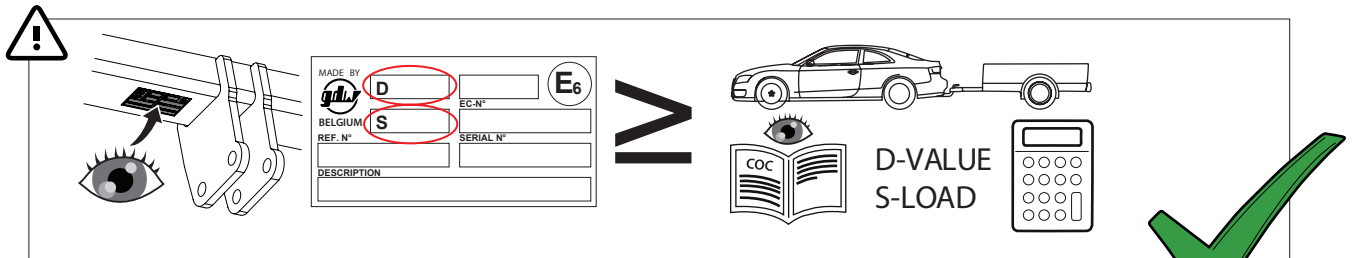
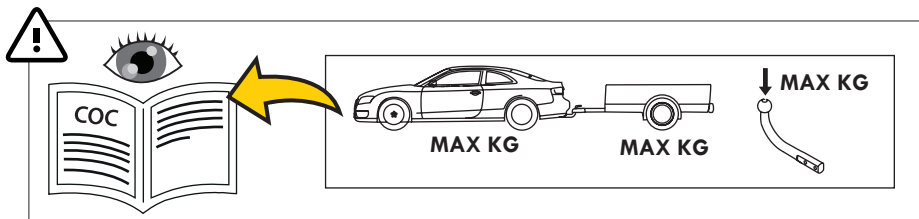
La massa rimorchiabile del veicolo potrebbe essere diversa dal valore riportato sul documento del gancio di traino. Per questo motivo, vi invitiamo a consultare sempre la carta di circolazione del veicolo (Pos. O.1) o a rivolgervi alla vostro concessionario di fiducia

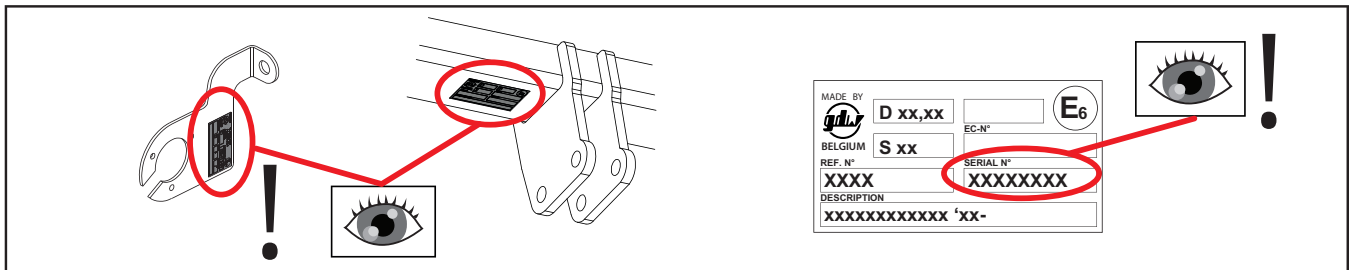


<p>MADE BY  <b>D 10,90</b> <b>F</b> <b>E1</b></p> <p>BELGIUM <b>S 80</b> <b>55R-03 3755</b></p> <p>REF N° <b>3005T60</b> <b>XXXX</b></p> <p><b>DESCRIPTION</b> Peugeot 3008 III 11/'23-, Citroën C5 Aircross II 07/'25- &amp; Jeep Compass 3 (J4U) 05/'25-, Opel Grandland 10/'24-</p>	 $D = \frac{\text{max kg (car)} \times \text{max kg (trailer)}}{\text{max kg (car)} + \text{max kg (trailer)}} \times 0.00981 \leq 10,90 \text{ kN}$  <p>S =  ≤ 80 kg  ≤ 1550 kg</p>
---	--

 **See the Certificate Of Conformity (COC) of your vehicle or contact your dealer to verify the max. trailer weight of your car!**

 **See the user manual of the vehicle for correct use of bicycle carriers!**



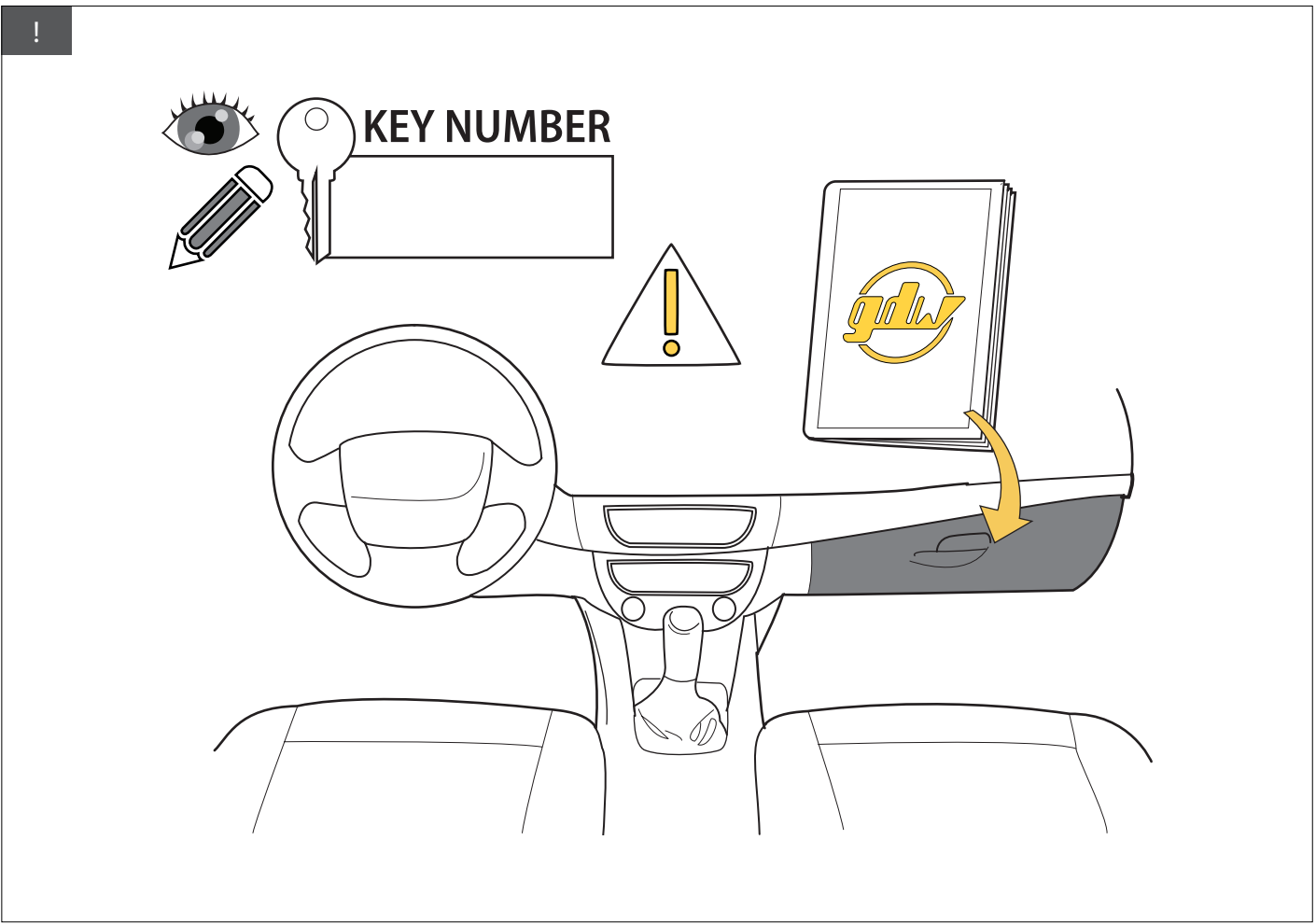


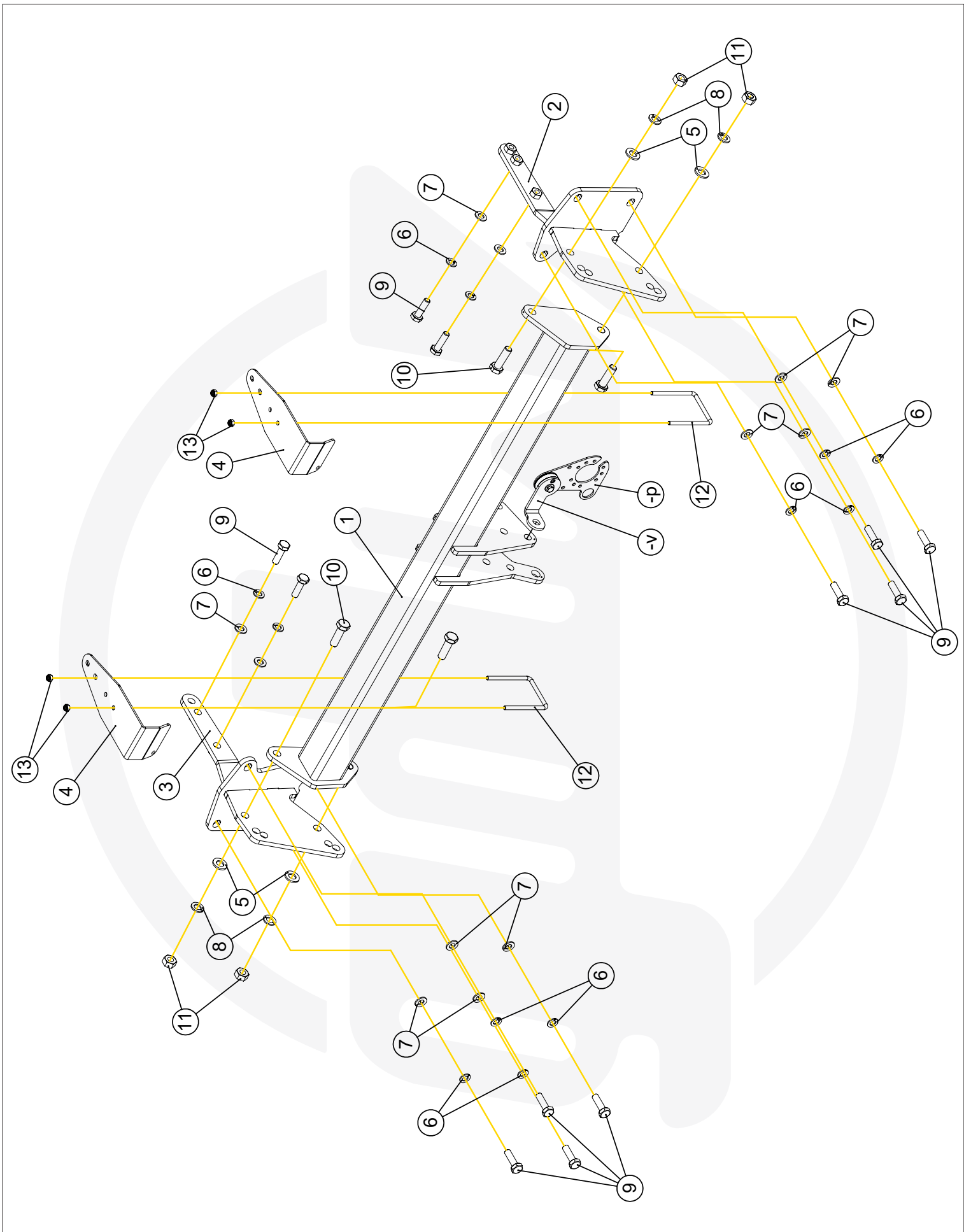


**helpdesk@gdwtowbars.com**

**+32 56 62 77 79**

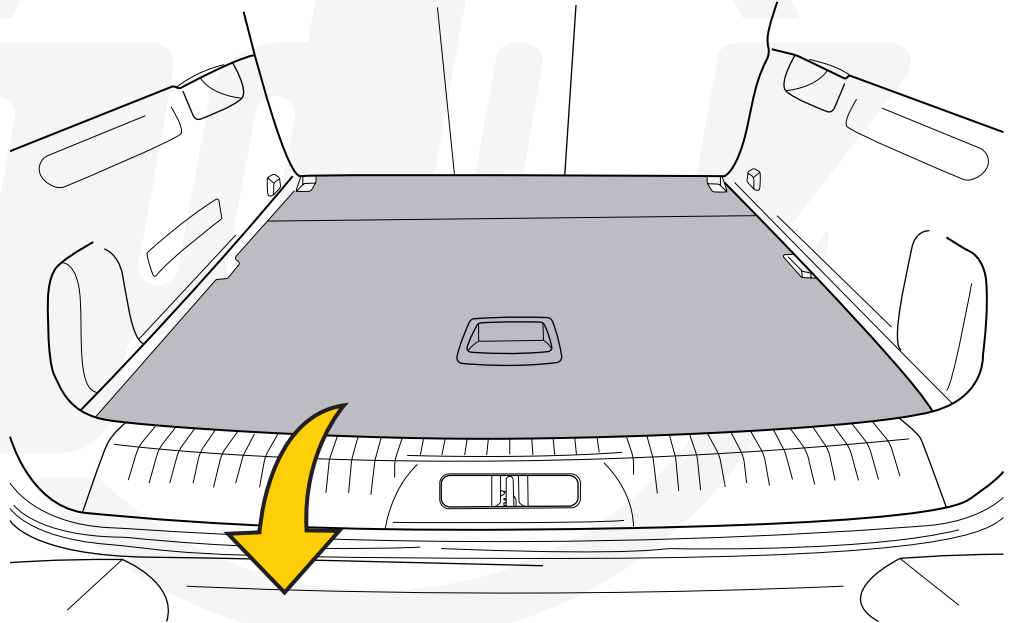
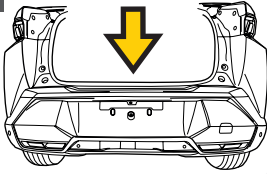
Monday	08:00 - 12:00	12:30 - 16:30
Tuesday	08:00 - 12:00	12:30 - 16:30
Wednesday	08:00 - 12:00	12:30 - 16:30
Thursday	08:00 - 12:00	12:30 - 16:30
Friday	08:00 - 12:00	12:30 - 15:30



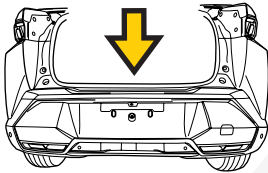


Geleverd met - Livré avec - Delivered with Gefiefert mit - Elementos adjuntos-Leveres med		GDW REF. 960.V1208		GDW REF. 740.200		GDW REF. 912.003		GDW REF. 740.112		GDW REF. 740.111		GDW REF. 740.12X X= LAST NUMBER ON KEY		GDW REF. 718.15.001		GDW REF. SYST60-10		DIN931-M12X110-8.8		DIN128A-M12		DIN125A-M12		DIN934-M12					
GDW REF. P46		GDW REF. 908.101		DIN985-M6		6,2 X 15,4 X 1,6 (NYLON)		GDW REF. 718.16.002		GDW REF. 718.16.003		GDW REF. 908.094		DIN933-M6 X 30		ADHESIVE FOAM 30		GDW REF. 718.14.15005030		ADHESIVE FOAM 15		GDW REF. 718.14.15005015							
X1		X1		X1		X2		X1		X1		X1		X1		X2		X2		X2		X2							
-P		└		└		└		└		└		└		└															
GDW REF. 3005T60		GDW REF.2		GDW REF.3		GDW REF.4		DIN 125A-10.5X20X2		GROWER VSK-M10		DIN 125A-13X24X2.5		GROWER VSK-M12		DIN 933-M10X35		DIN 933-M12X40		DIN 934-M12		GDW REF.12		DIN 985-M6		GDW REF. 908.097		GDW REF. 900.053	
X1		X1		X1		X2		X10		X10		X4		X4		X10		X4		X4		X2		X4		X1		X1	
1		2		3		4		5		6		7		8		9		10		11		12		13		-V		-5	

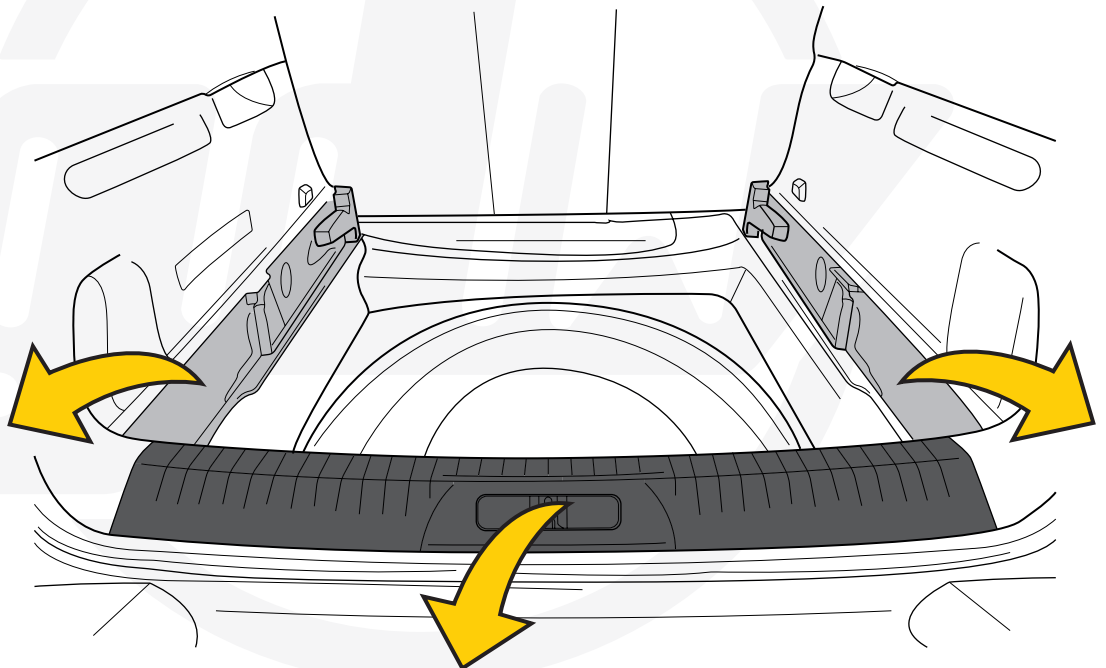
1

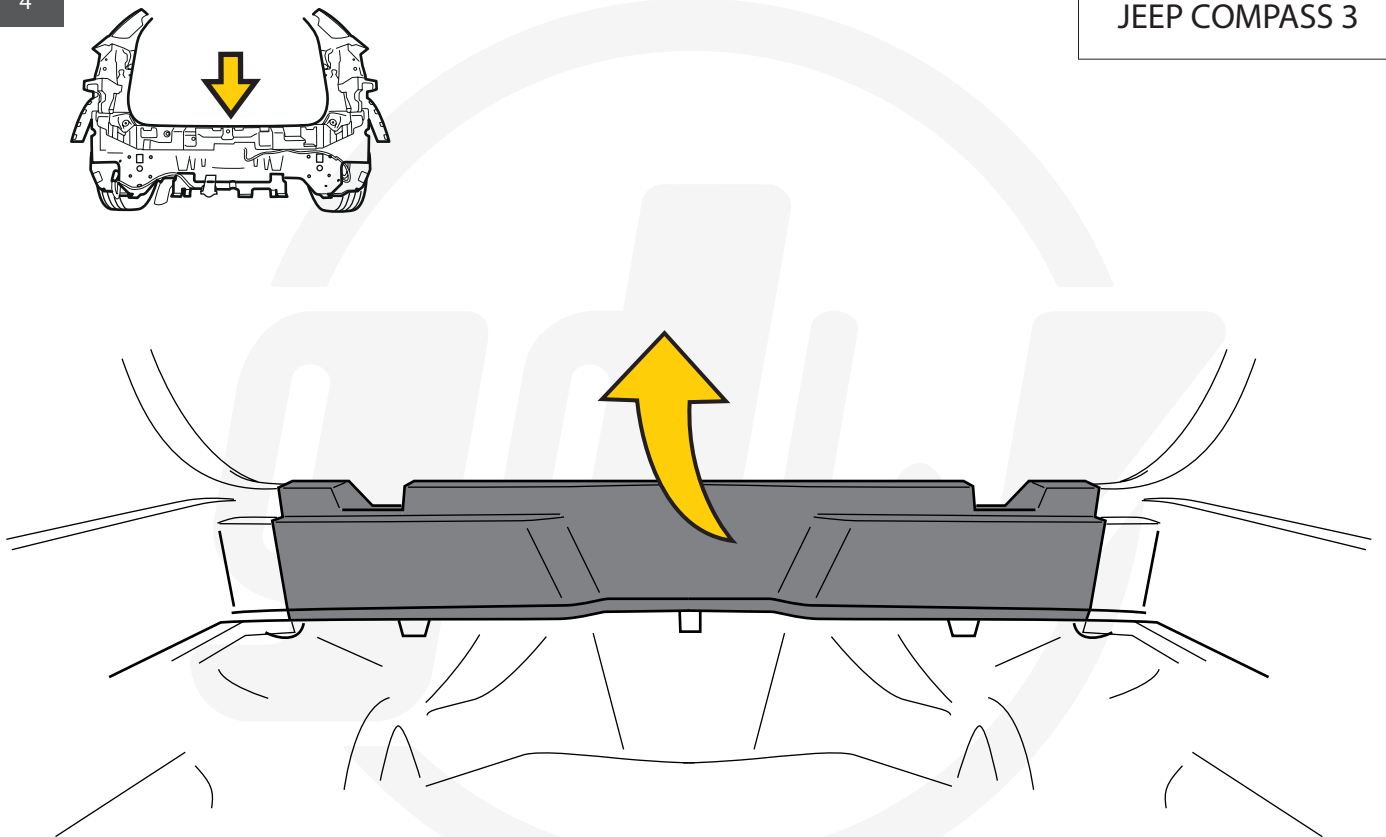
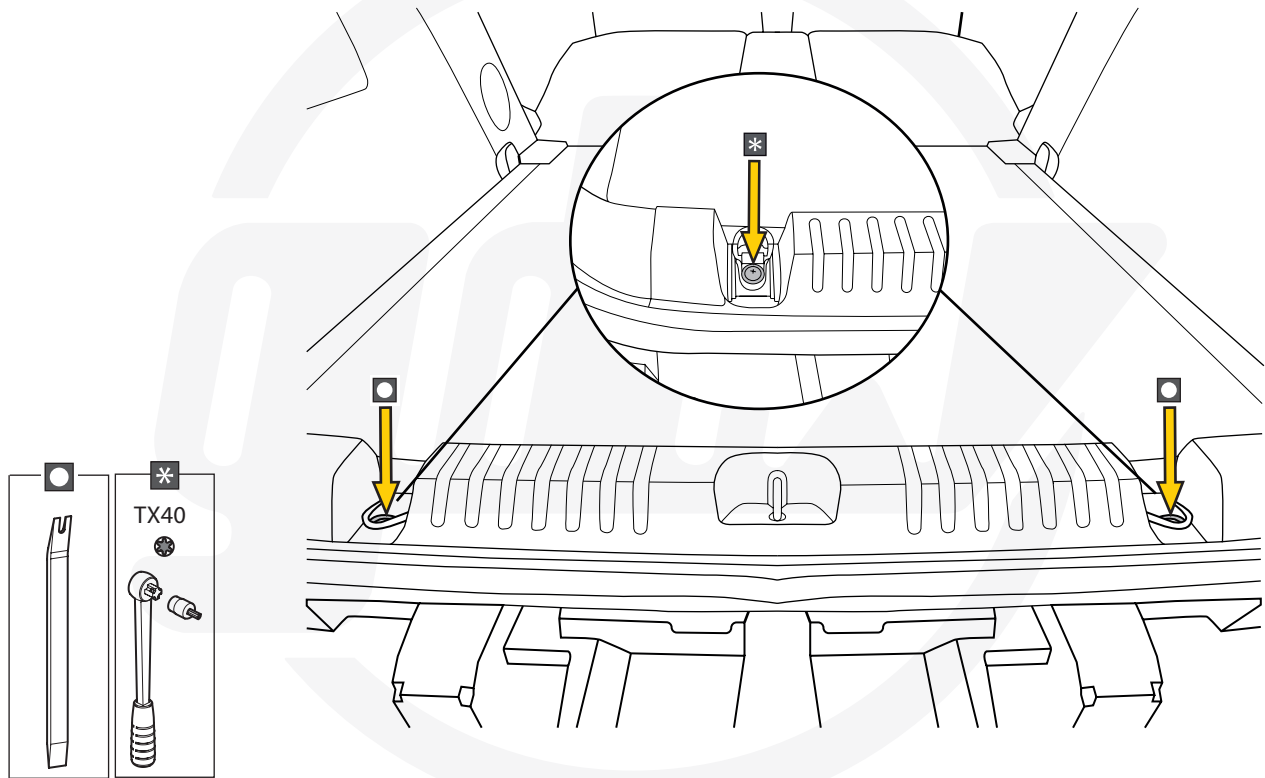


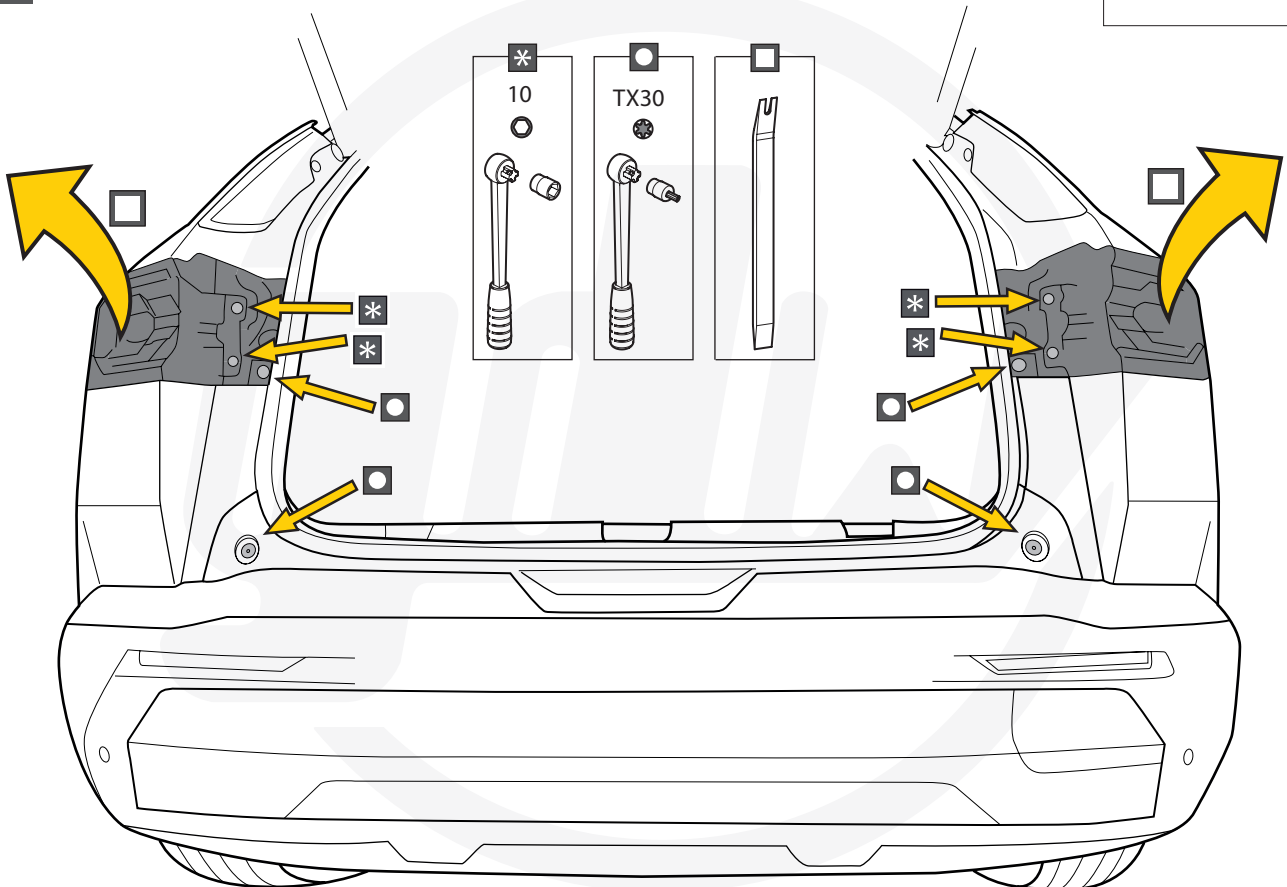
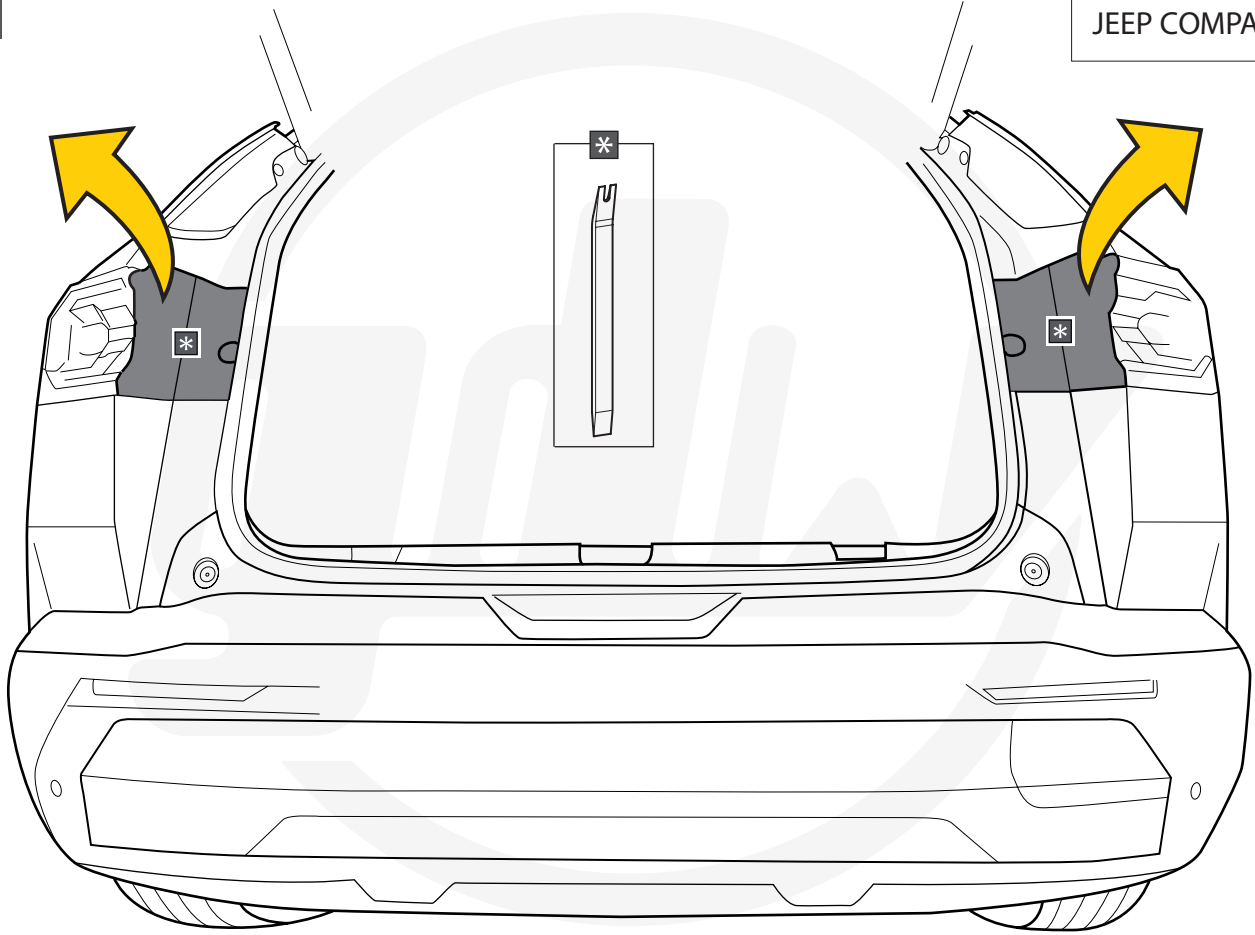
2

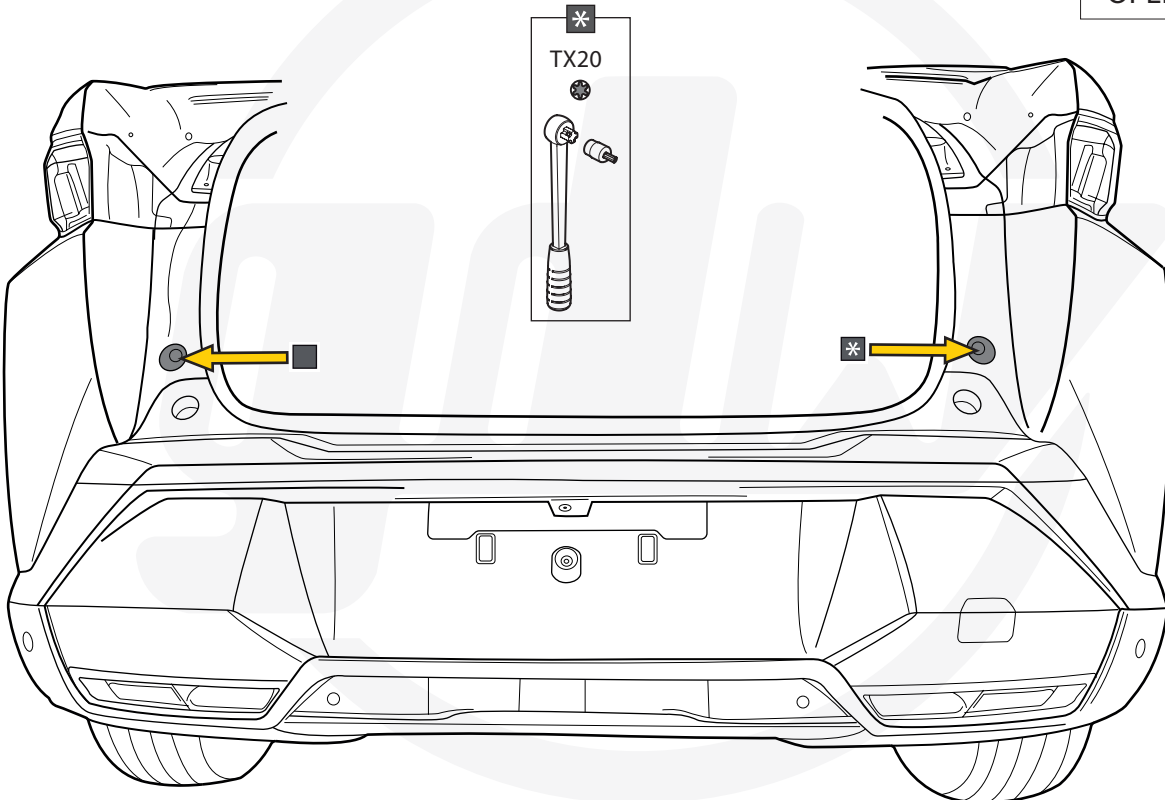
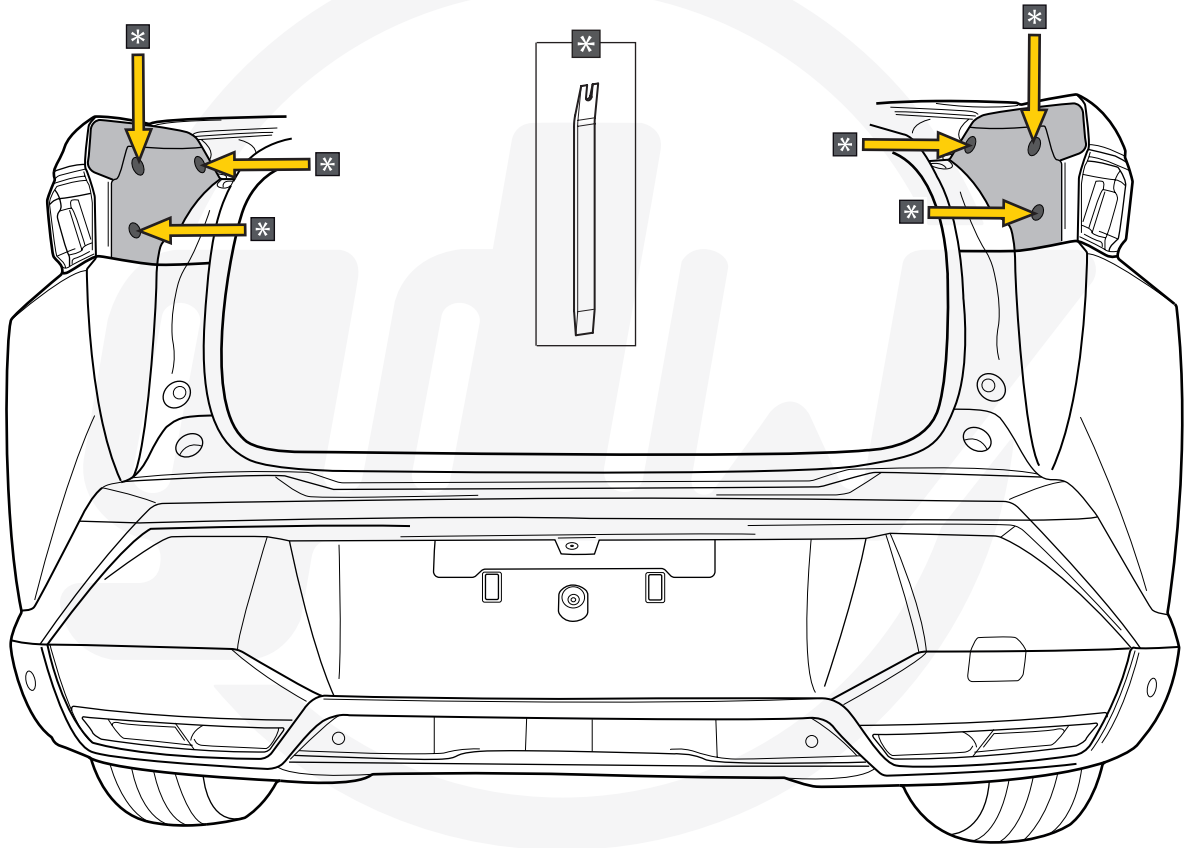


PEUGEOT 3008  
C5 AIRCROSS  
OPEL GRANDLAND

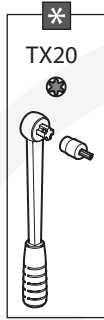
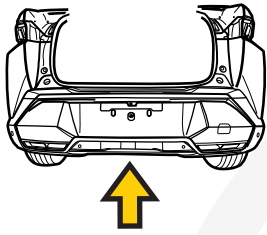




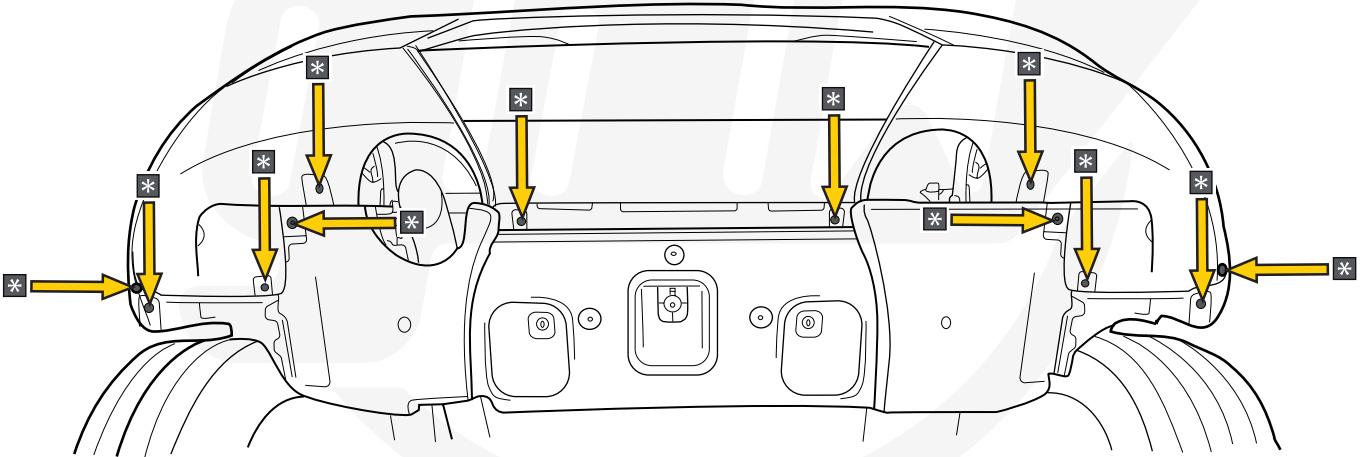




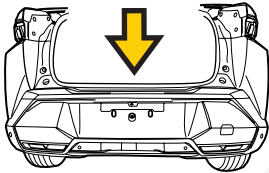
9



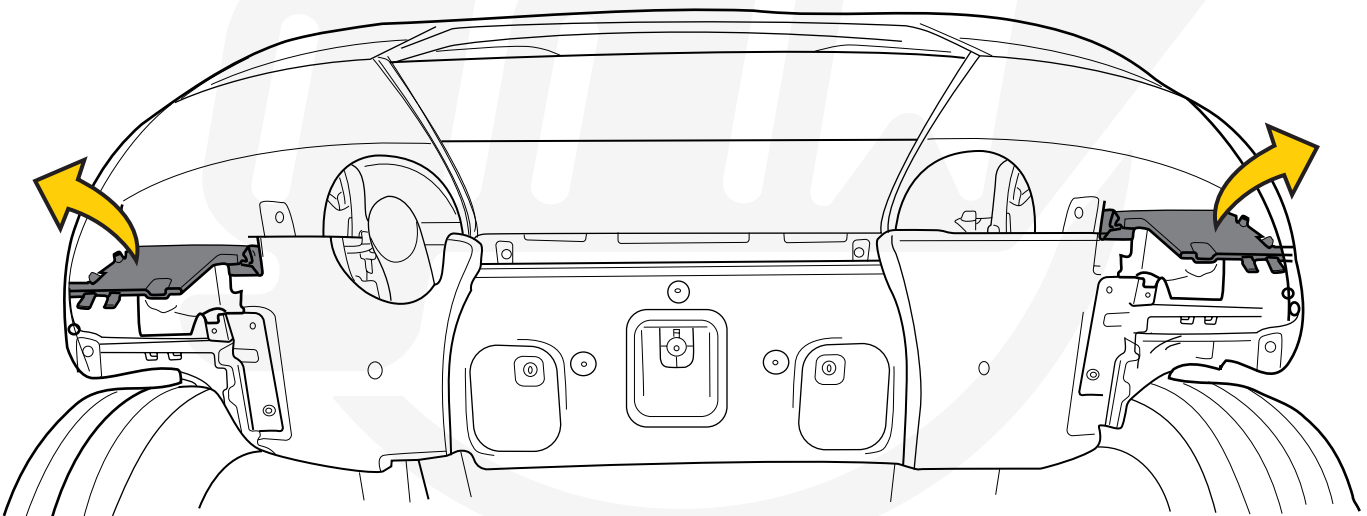
PEUGEOT 3008  
C5 AIRCROSS

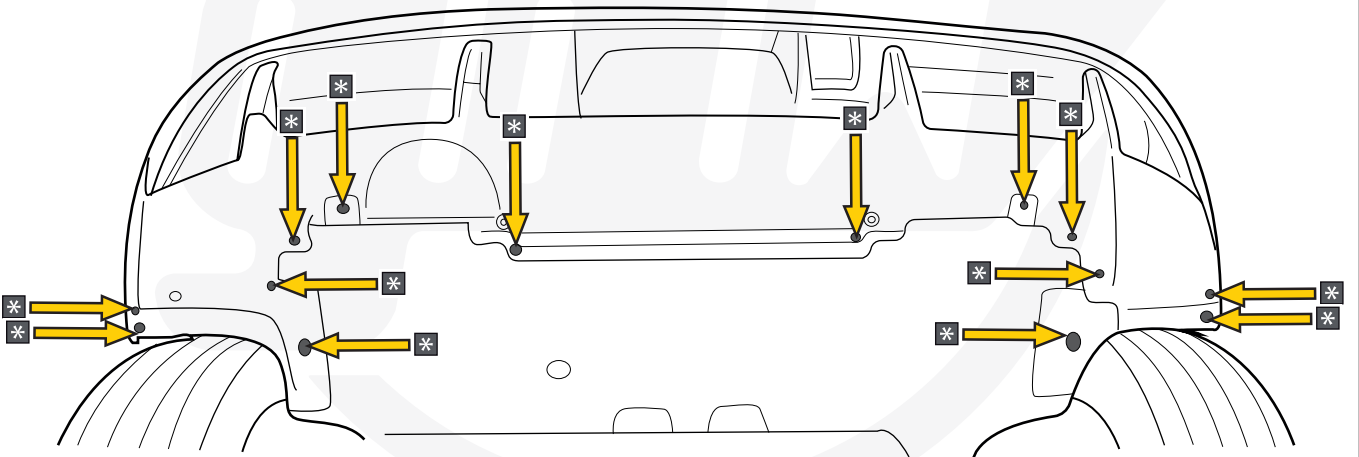
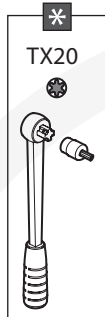
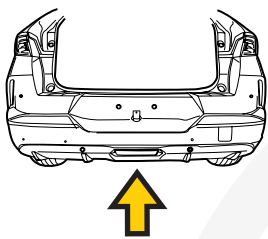
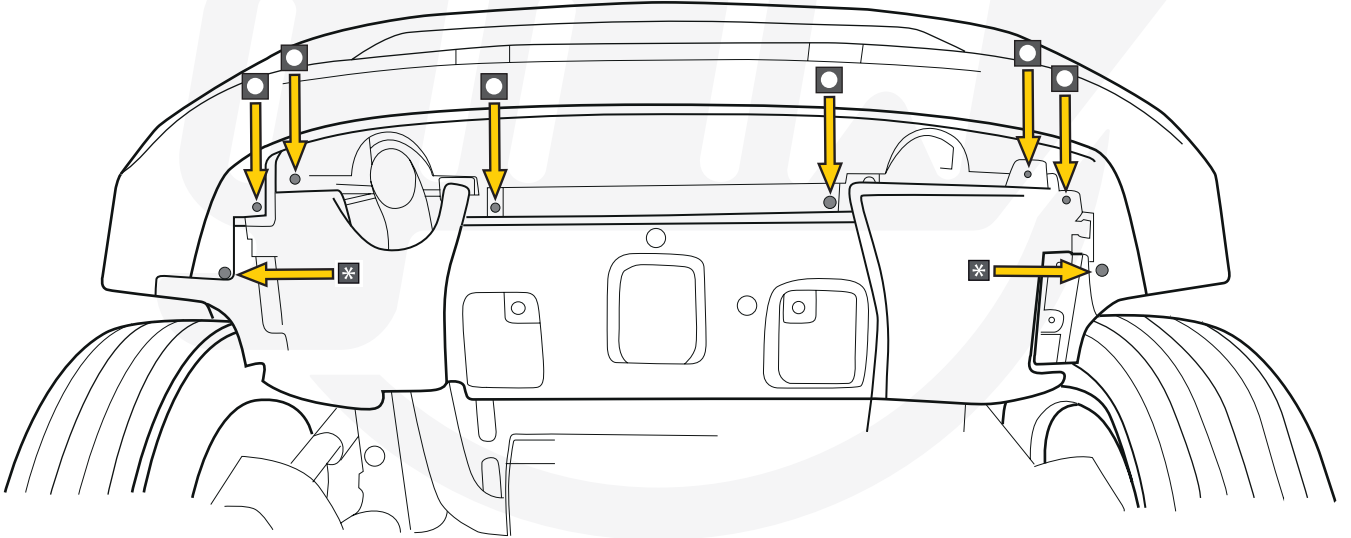
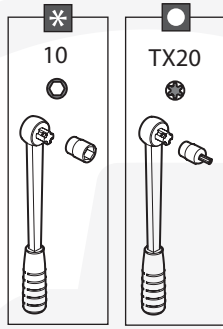


10

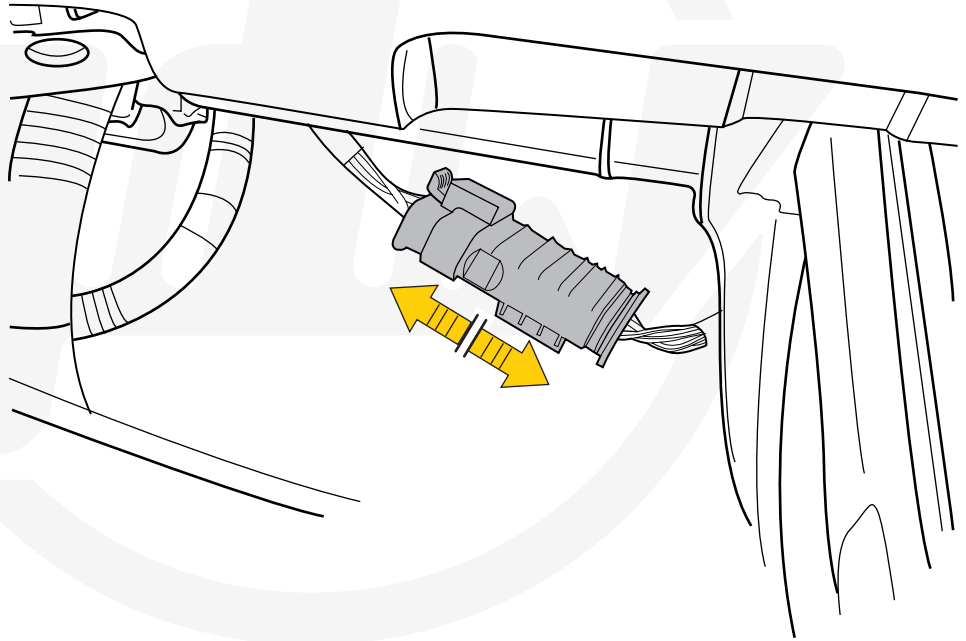
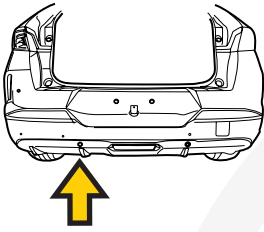


PEUGEOT 3008  
C5 AIRCROSS

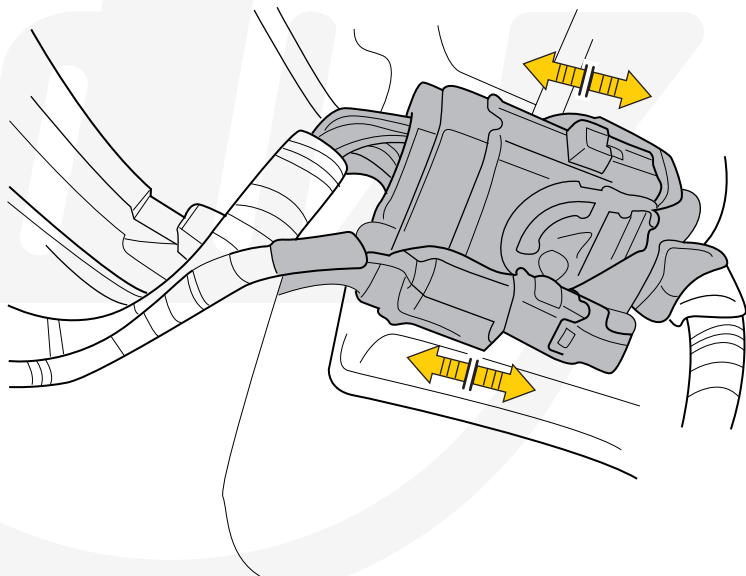
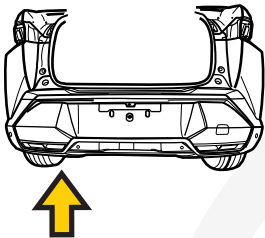


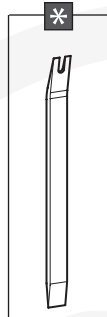
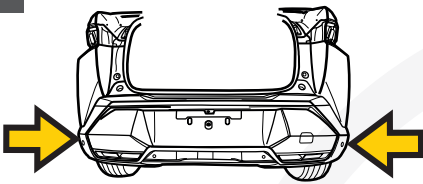
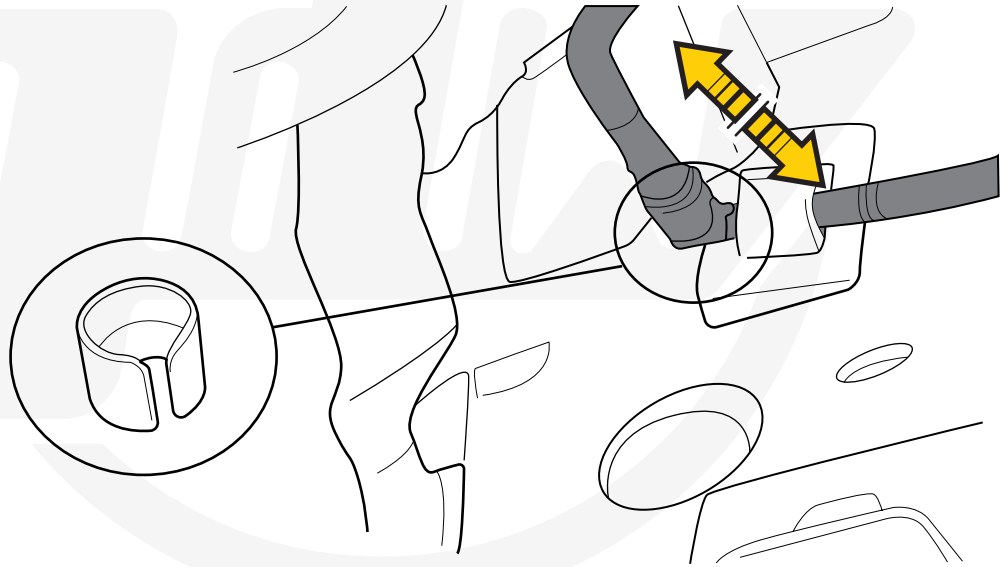
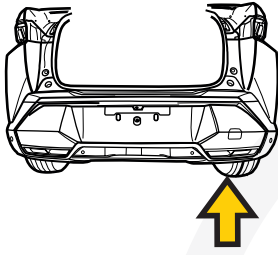


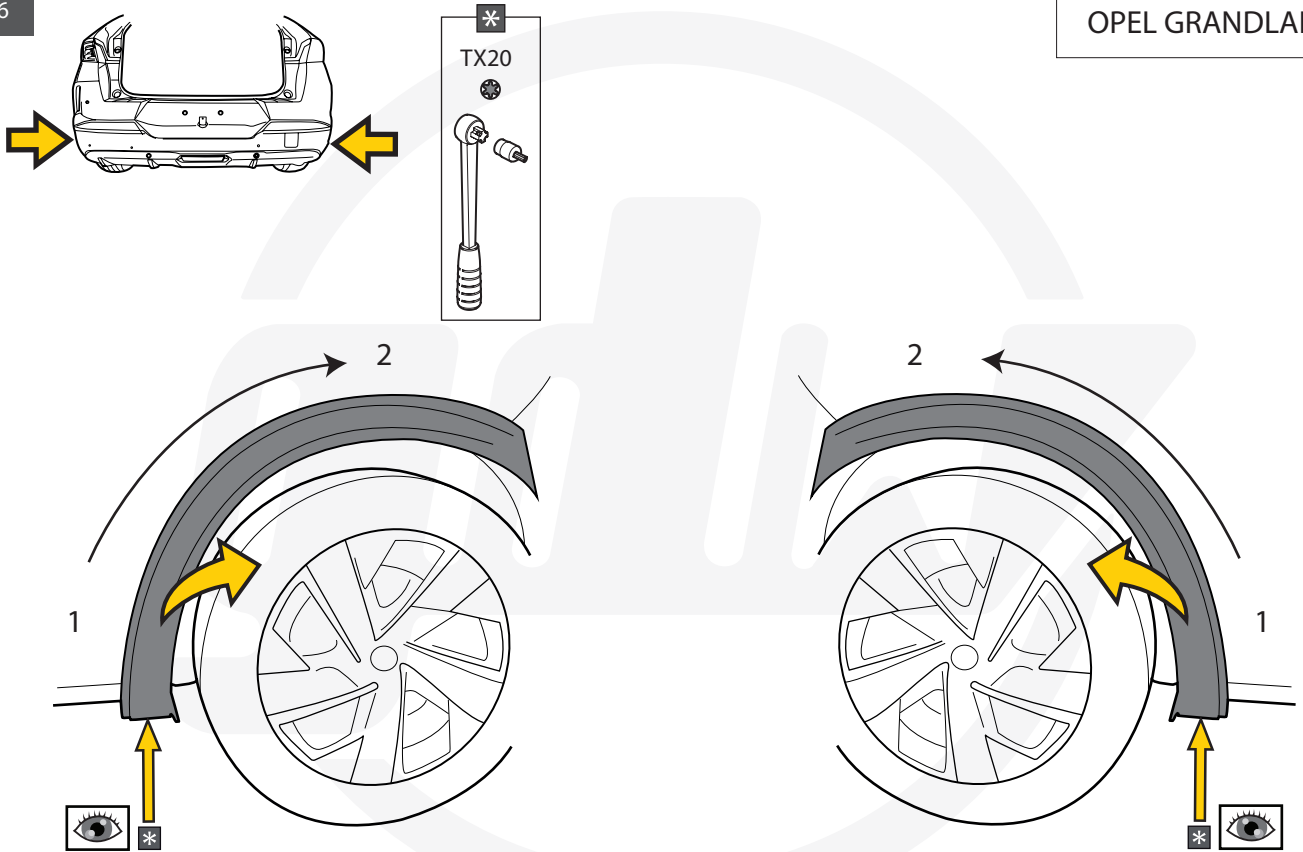
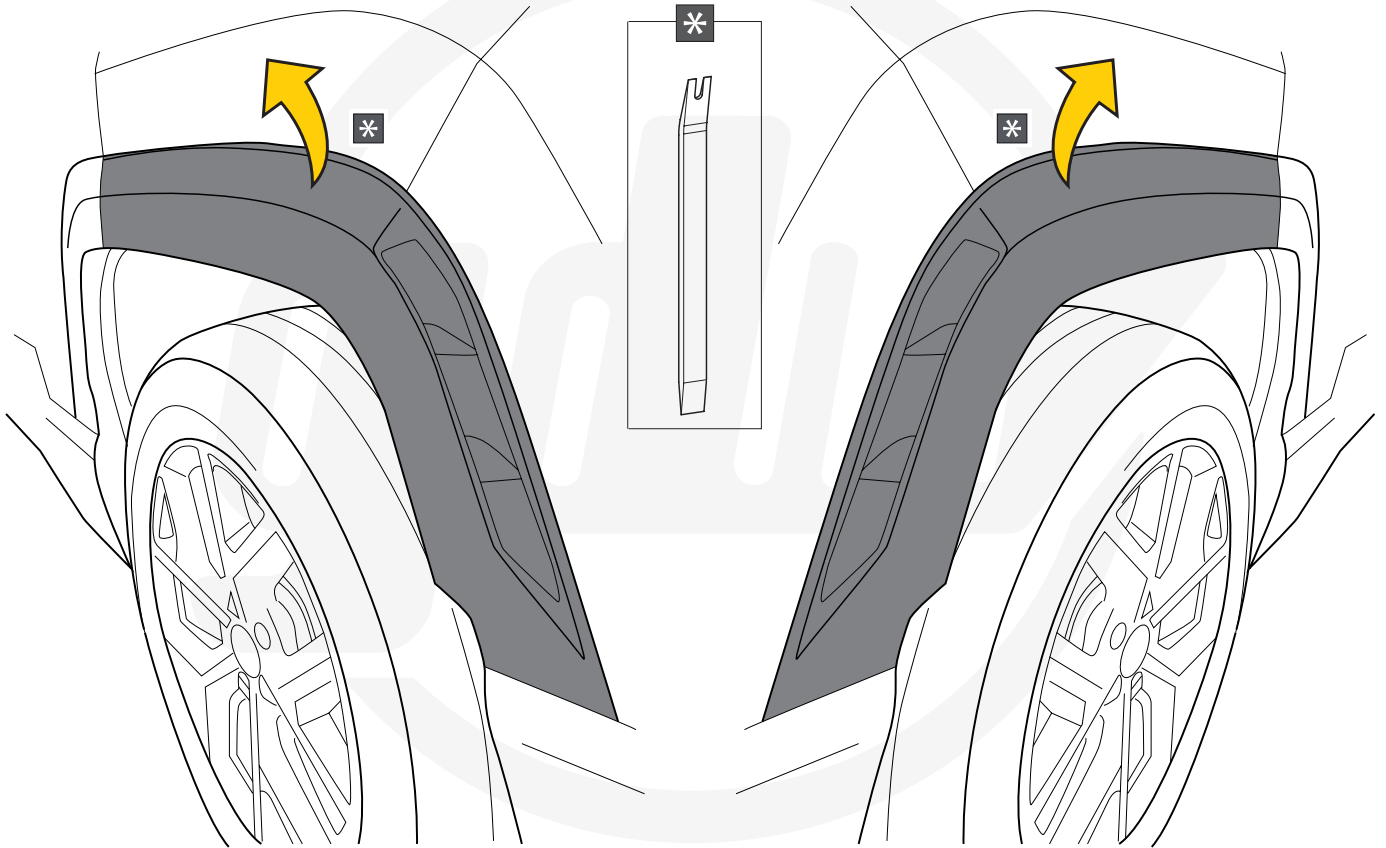
OPEL GRANDLAND

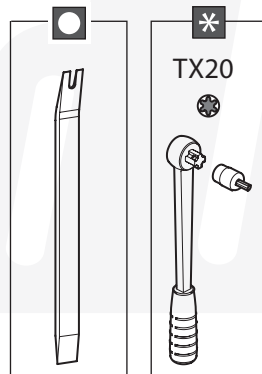
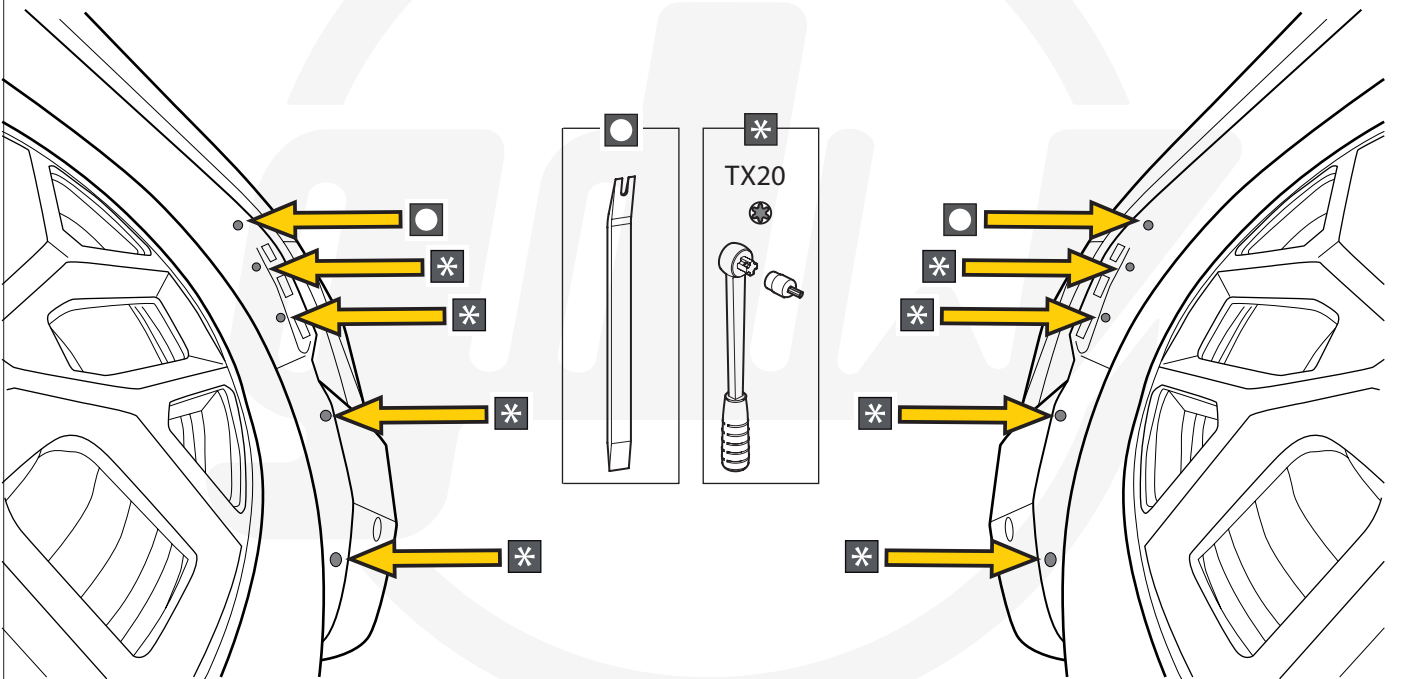
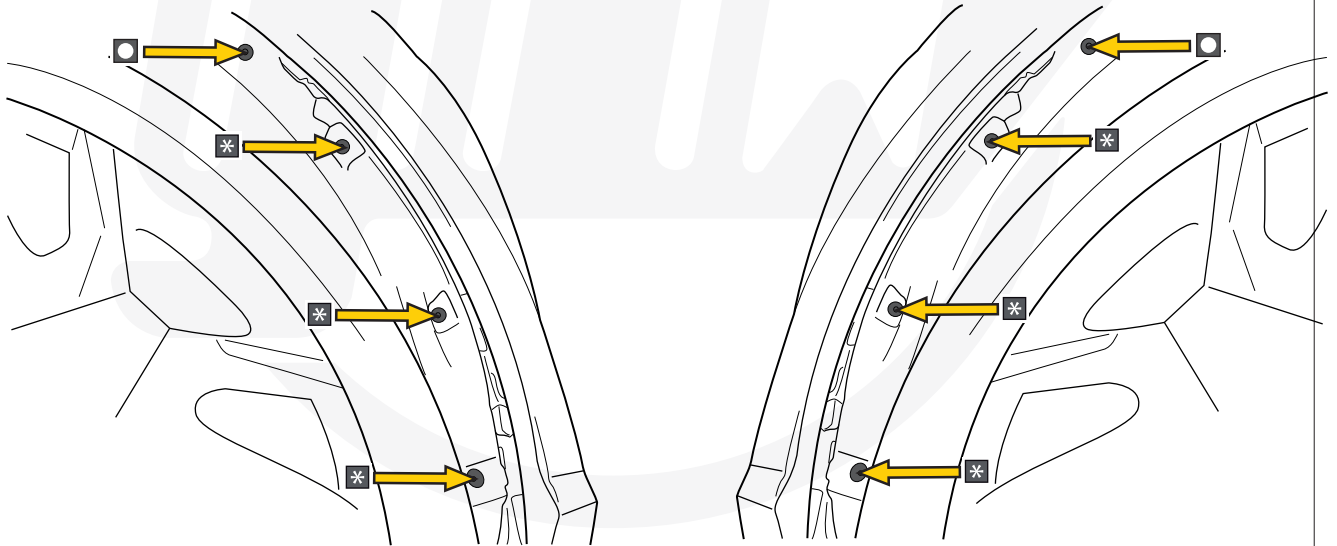
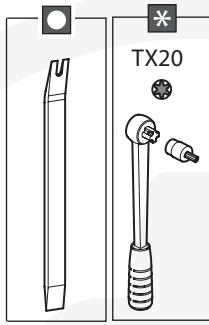
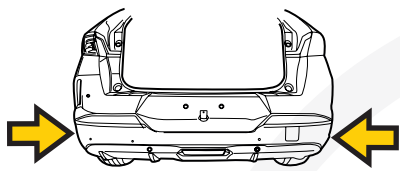


PEUGEOT 3008  
C5 AIRCROSS  
JEEP COMPASS 3



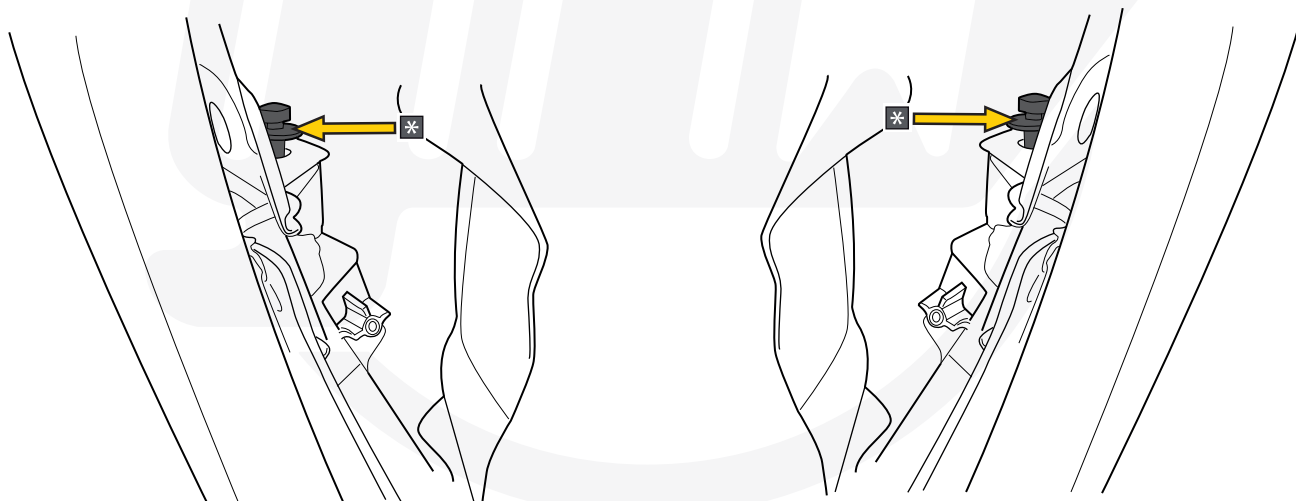
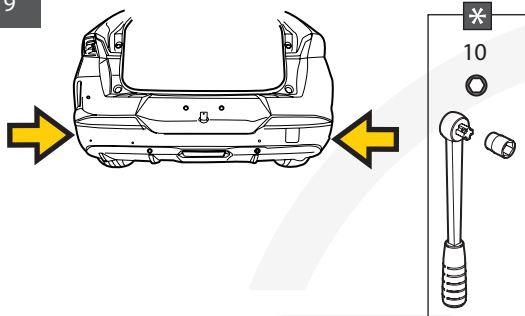




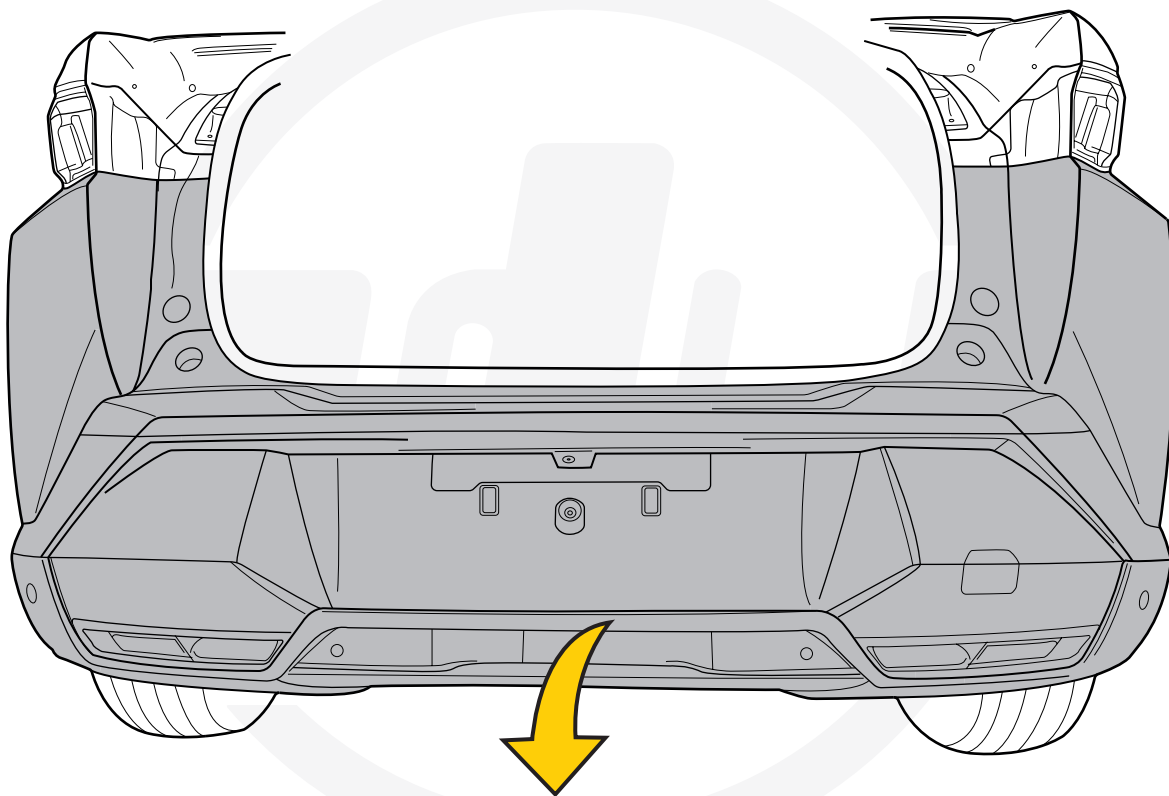


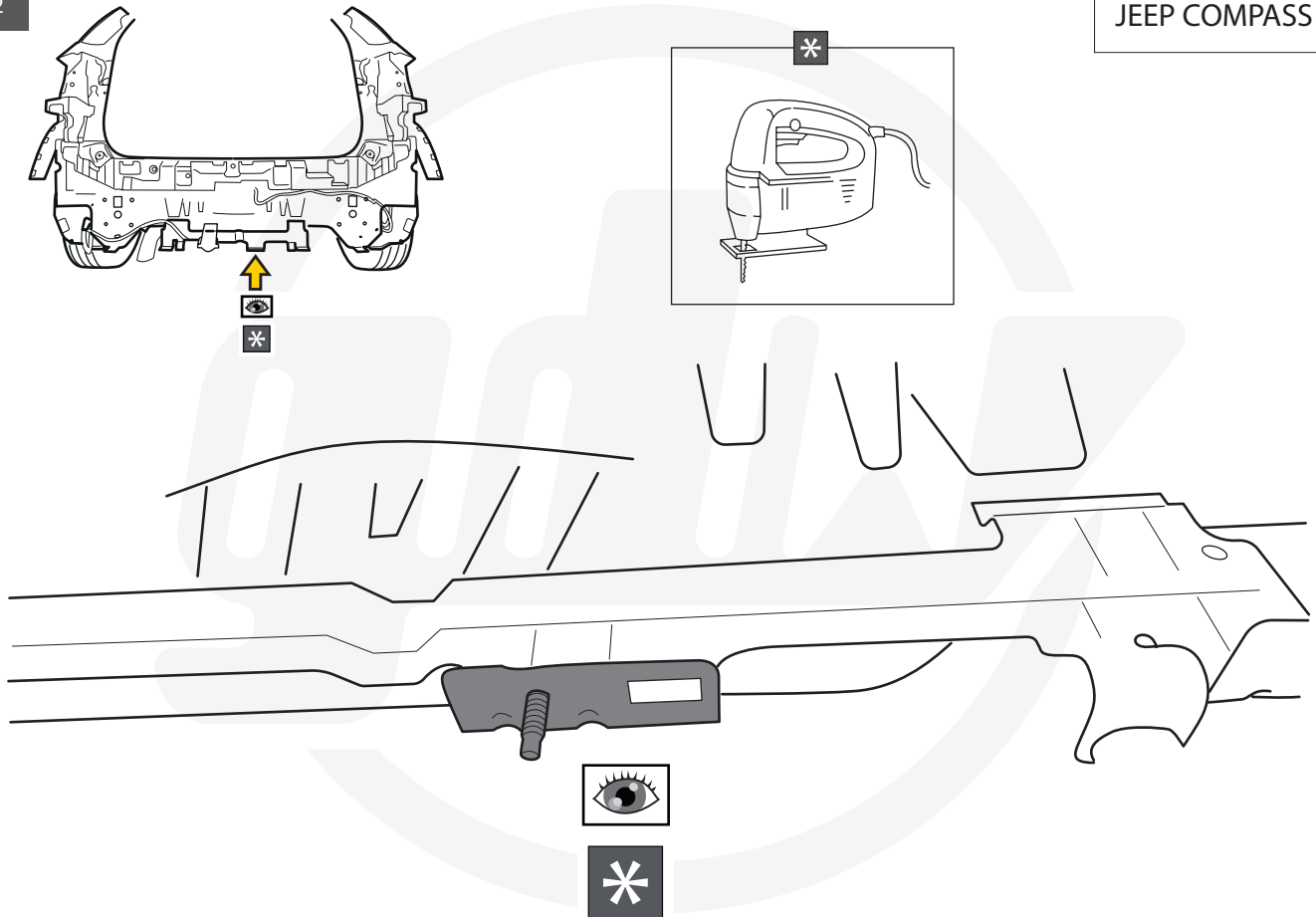
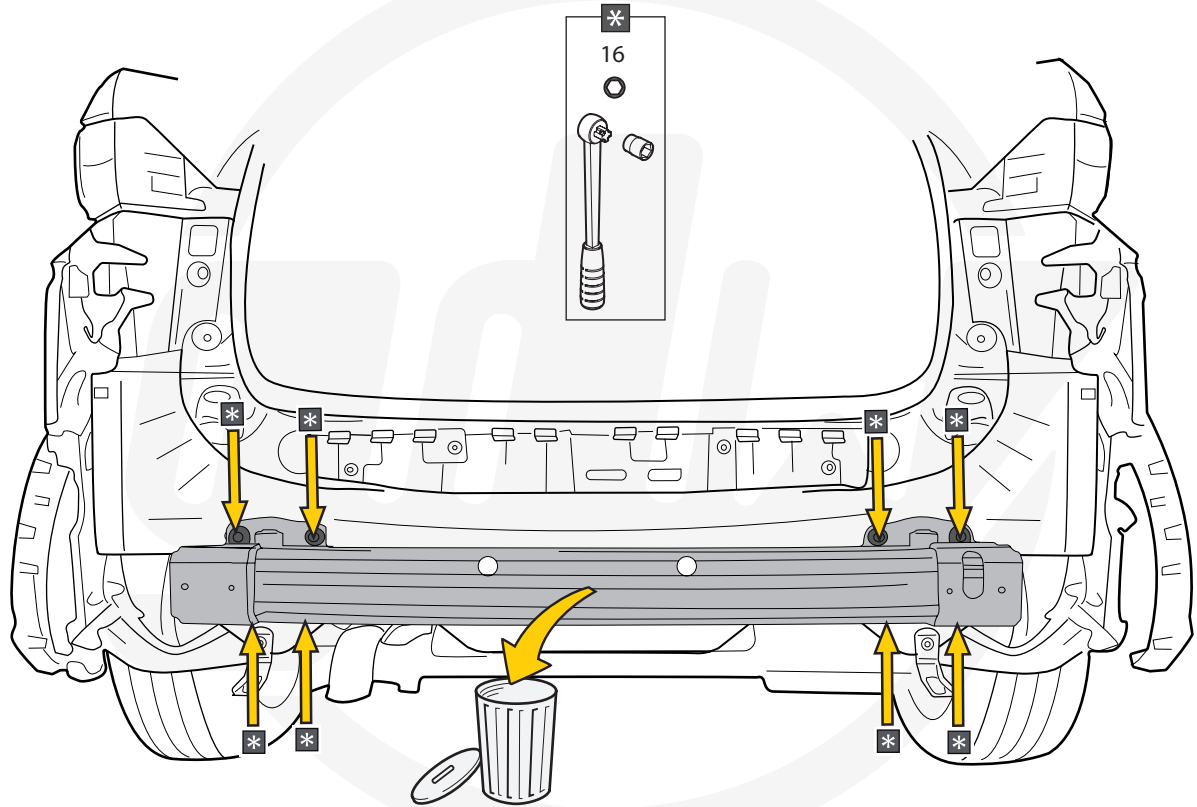
19

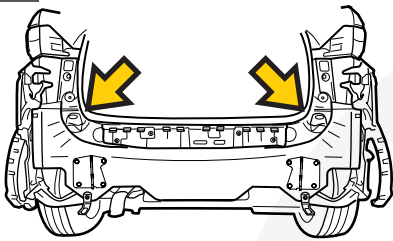
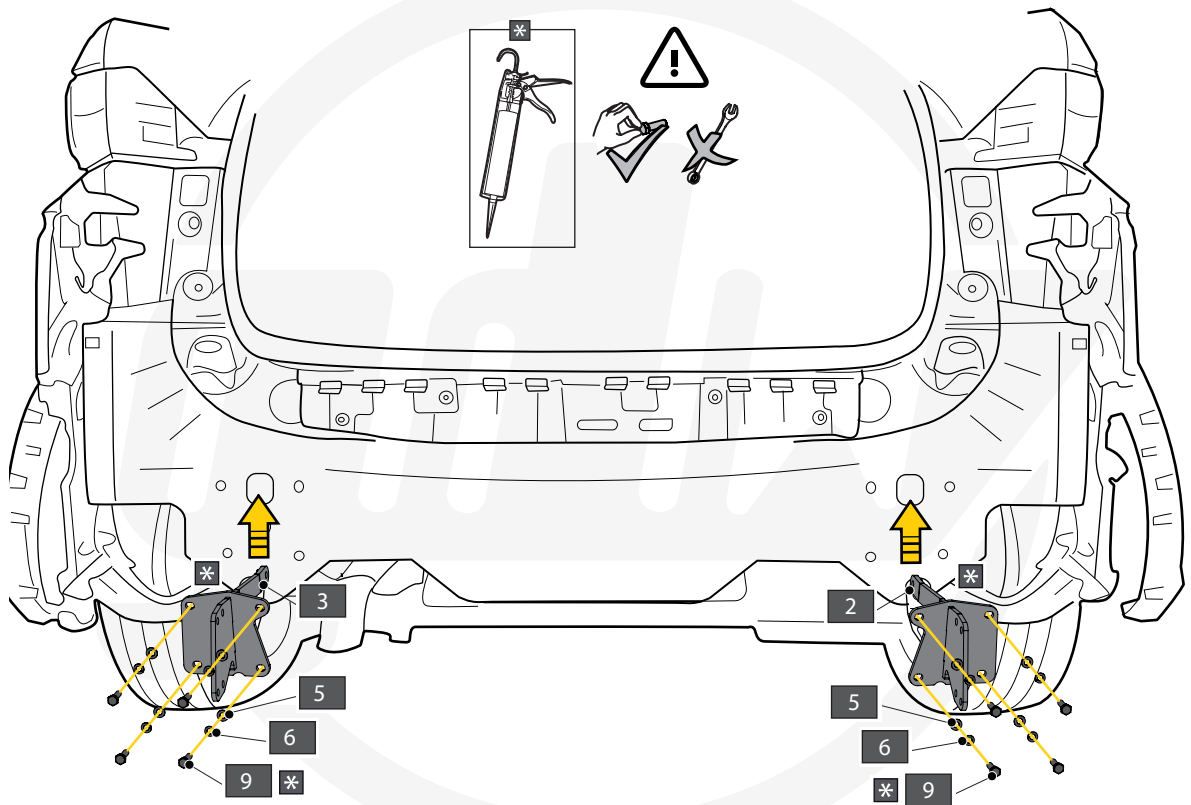
PEUGEOT 3008  
C5 AIRCROSS  
OPEL GRANDLAND



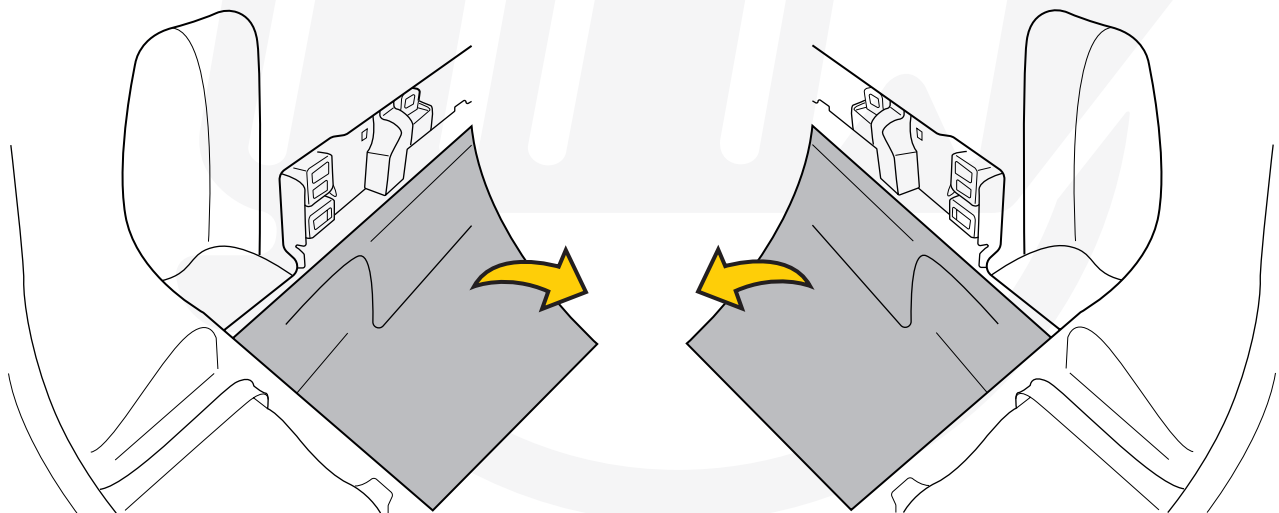
20

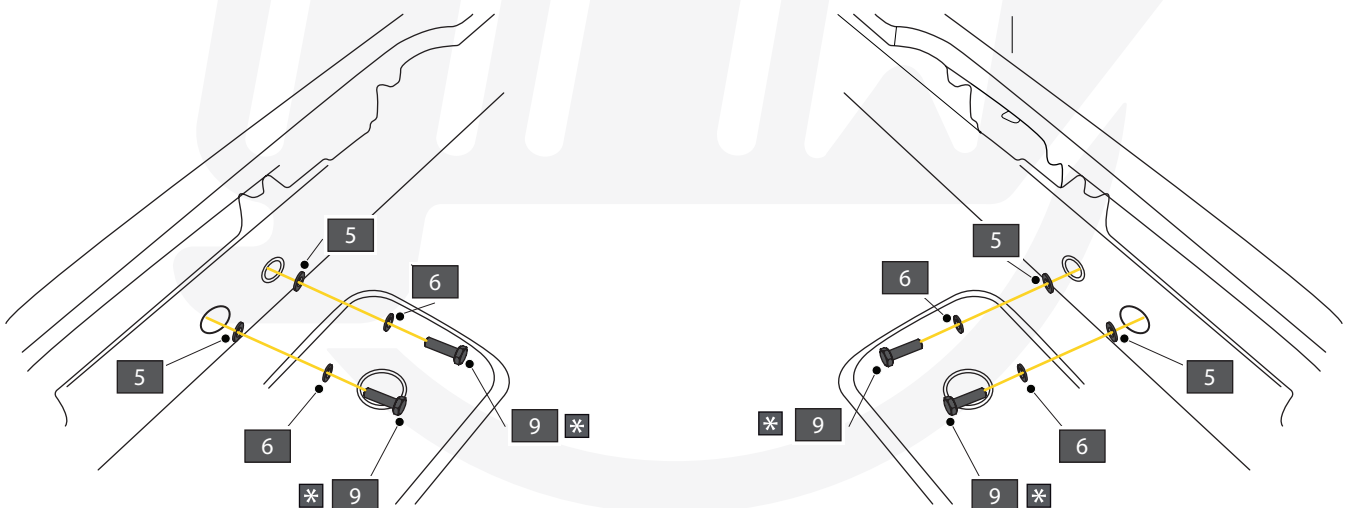
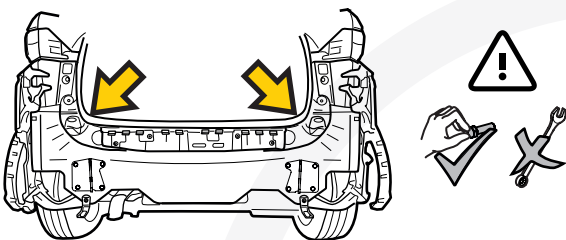
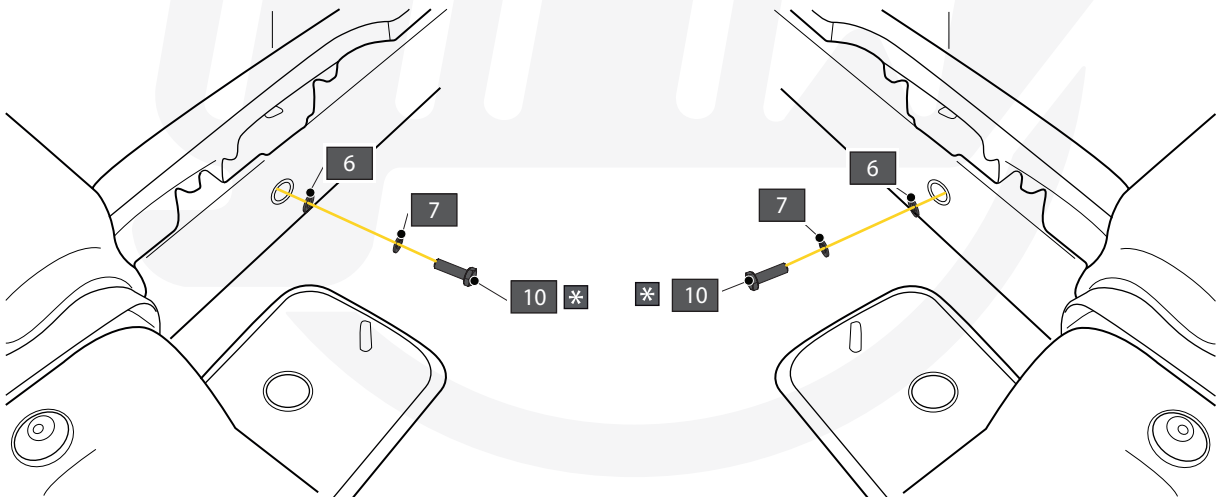
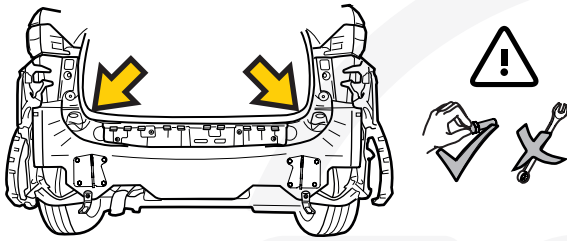


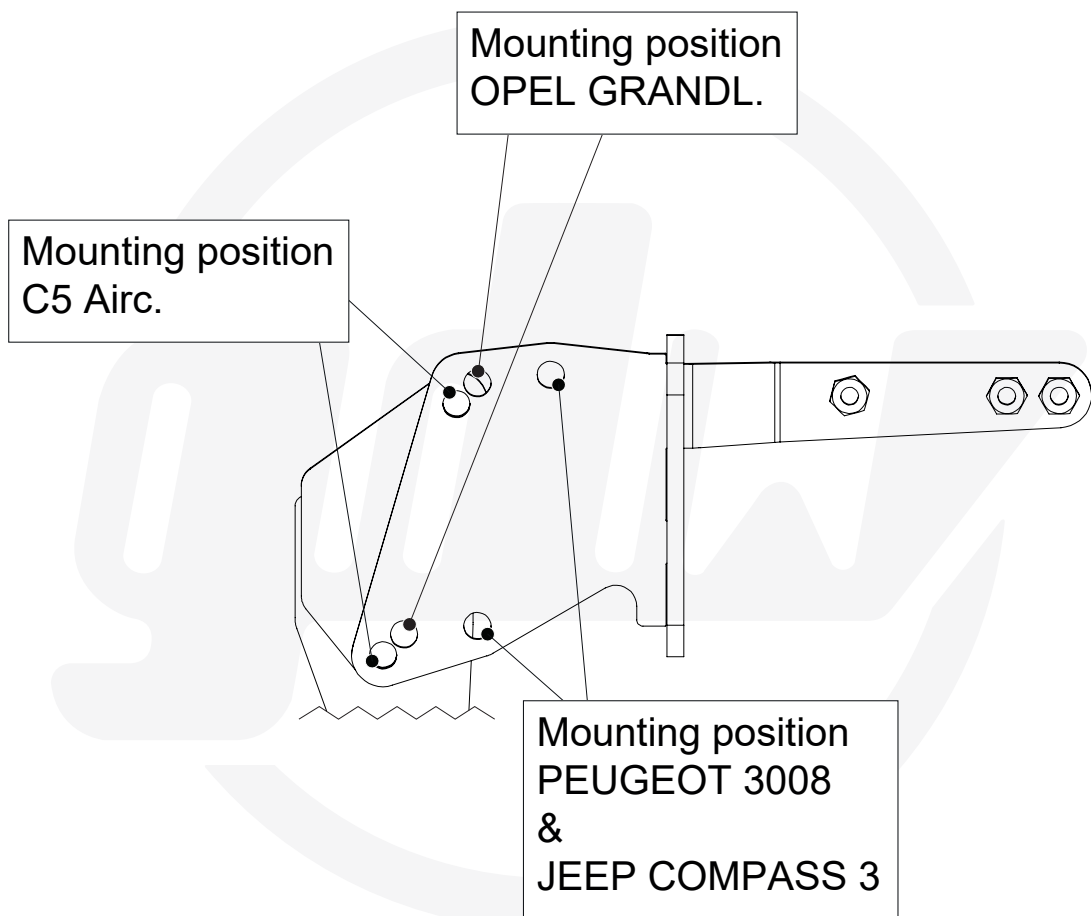
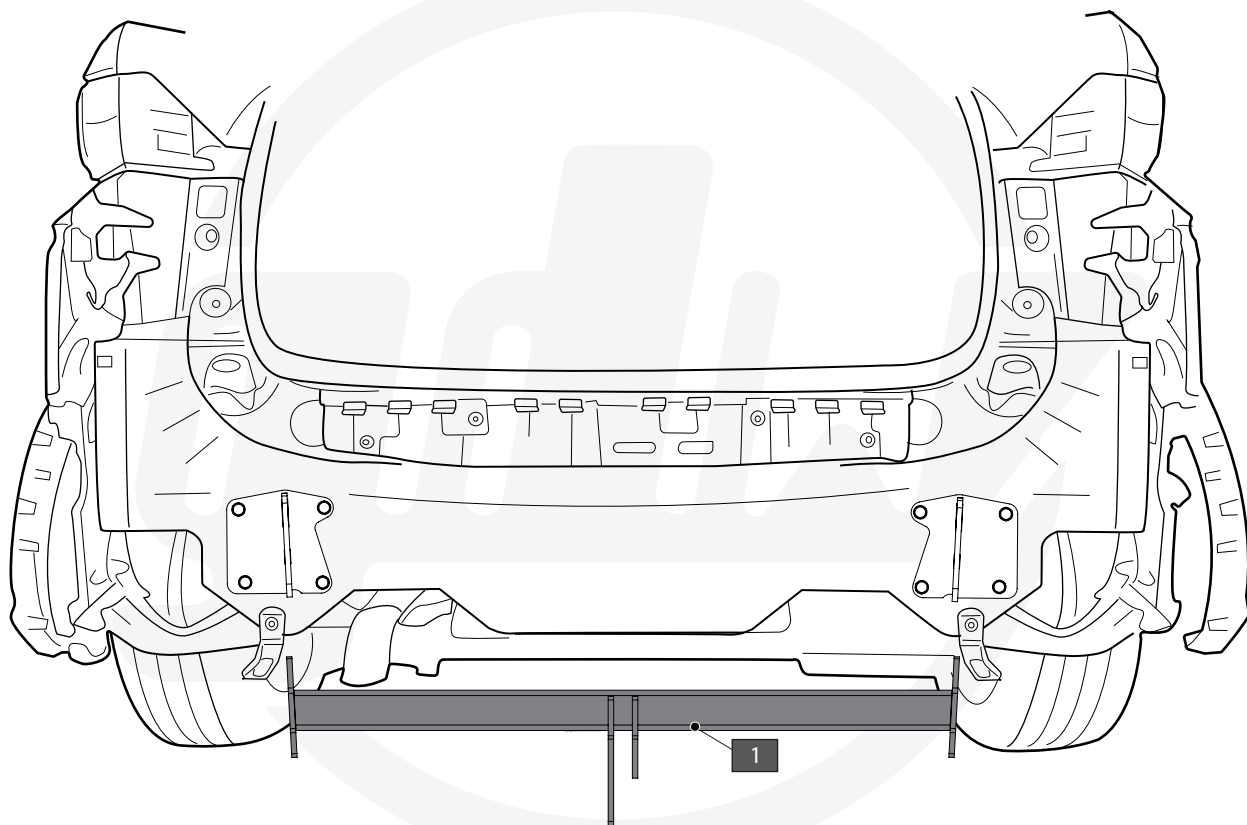


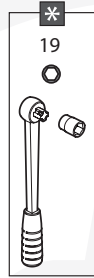
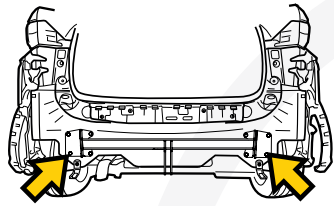


PEUGEOT 3008  
C5 AIRCROSS  
JEEP COMPASS 3  
OPEL GRANDL.

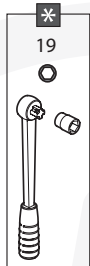
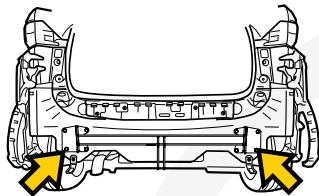
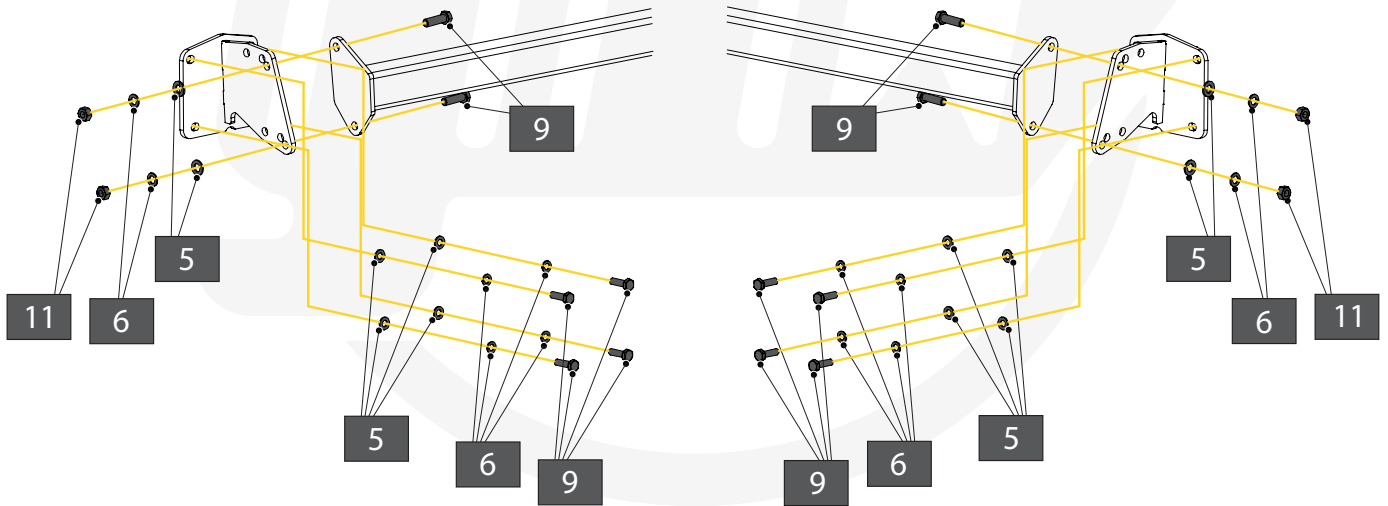




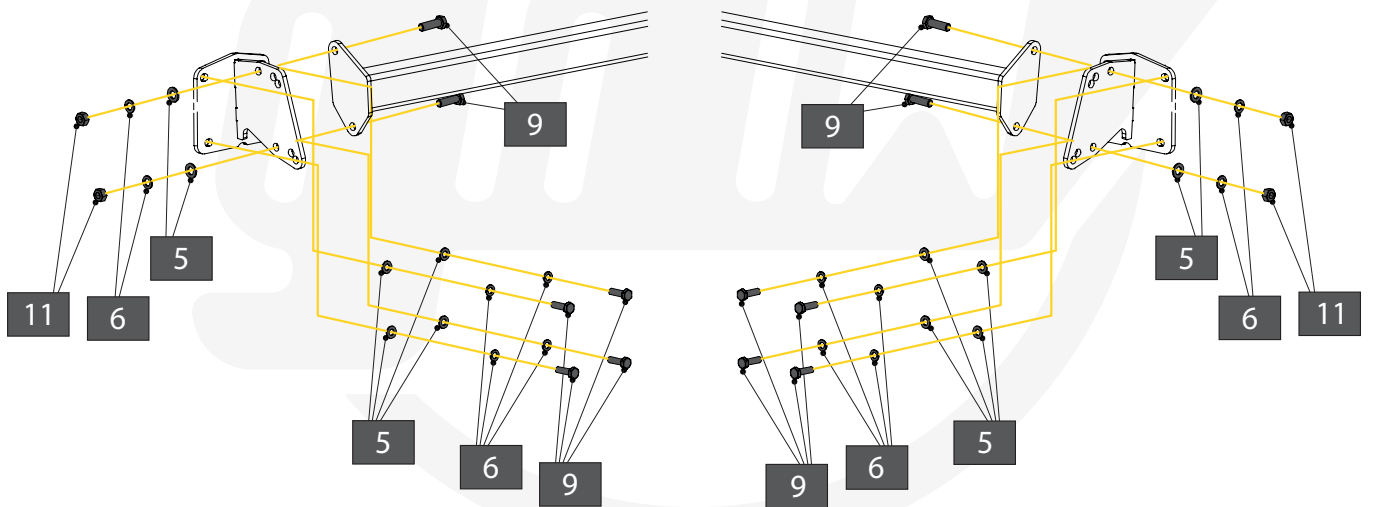


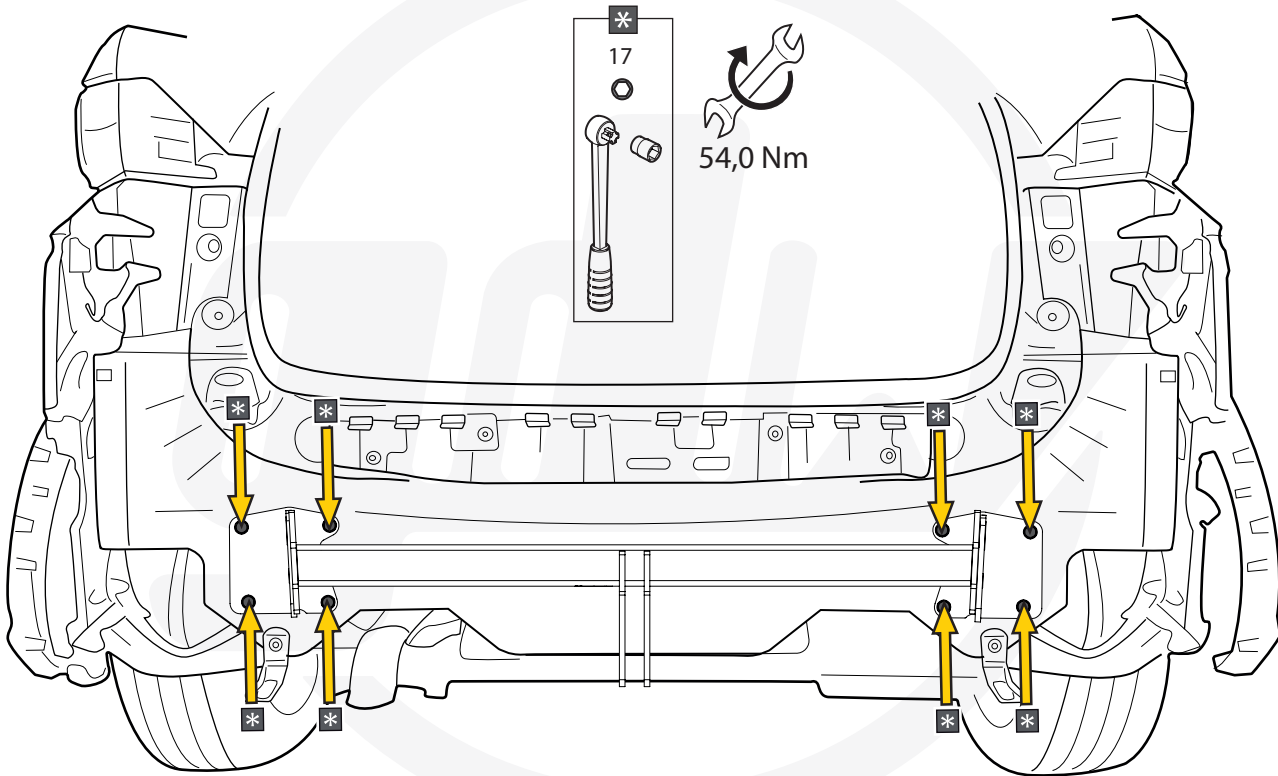
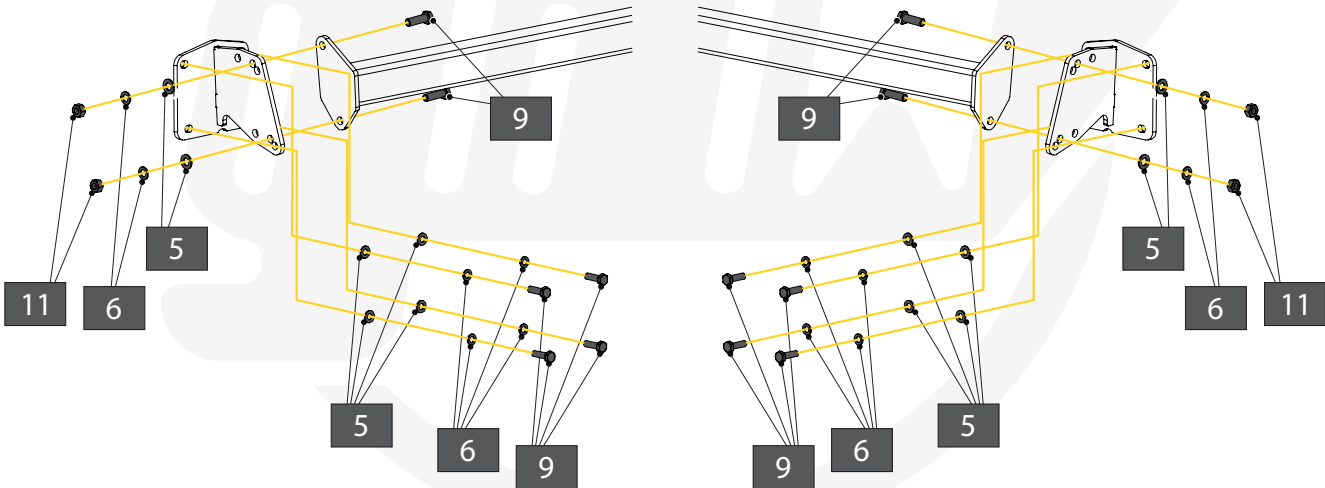
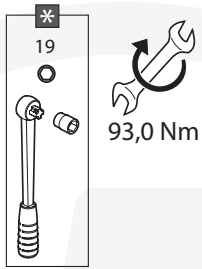
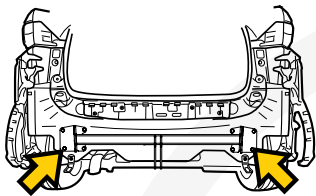


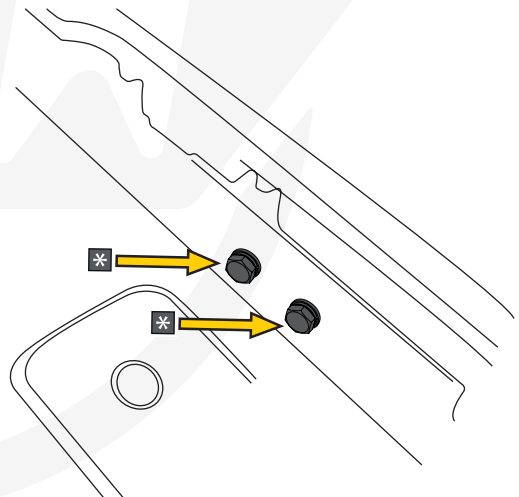
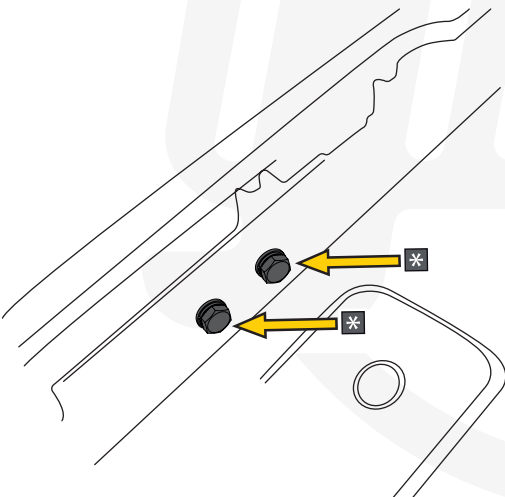
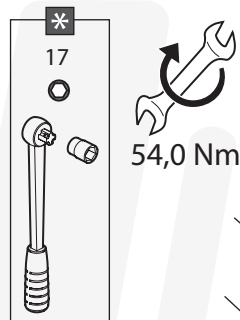
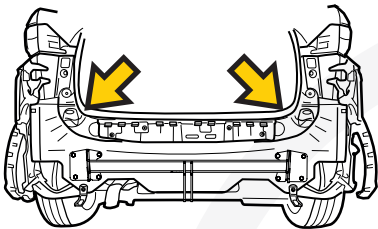
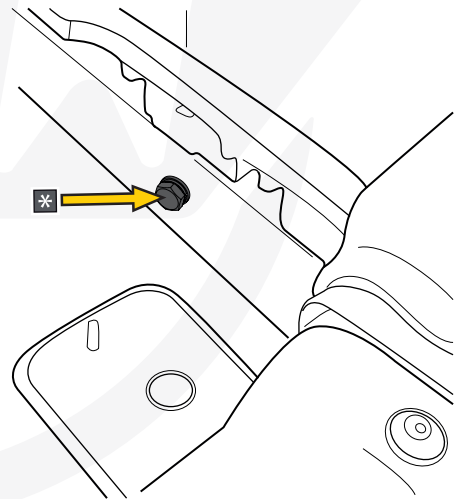
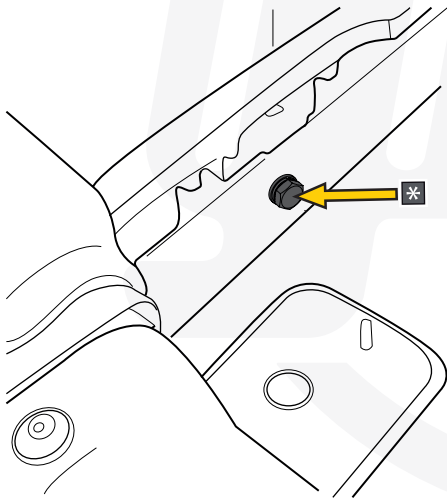
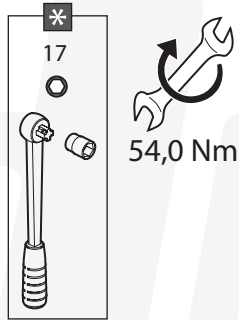
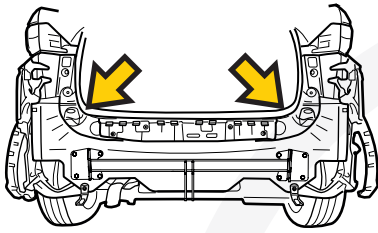
93,0 Nm

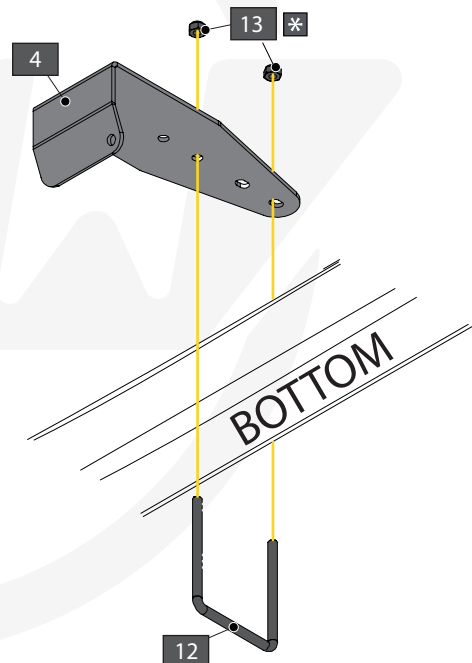
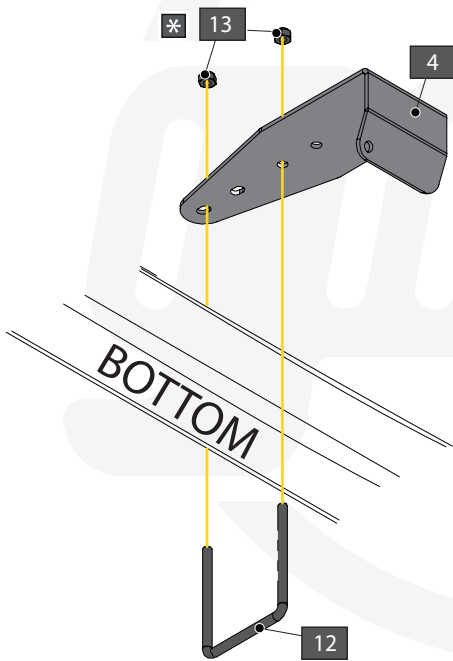
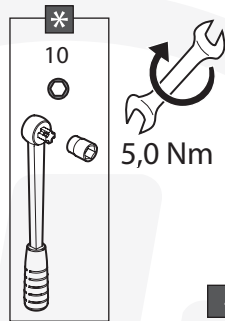
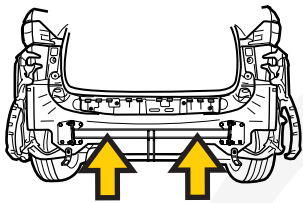
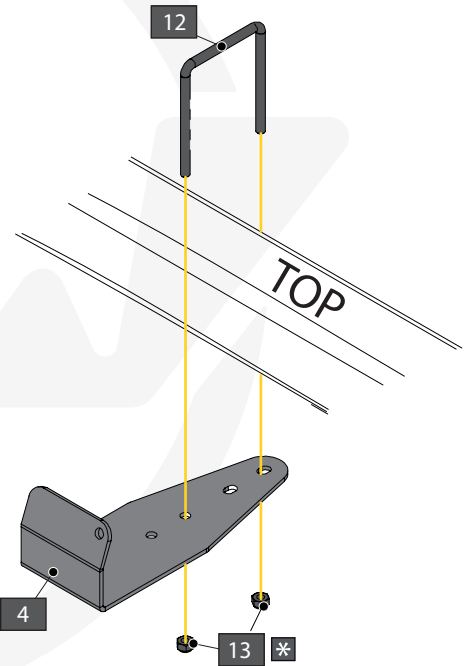
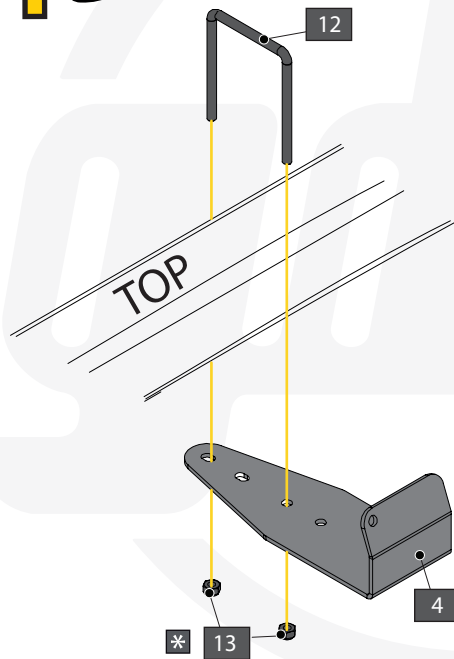
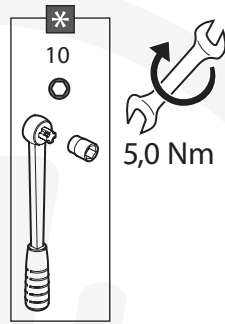
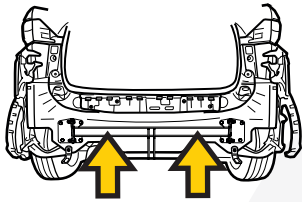


93,0 Nm



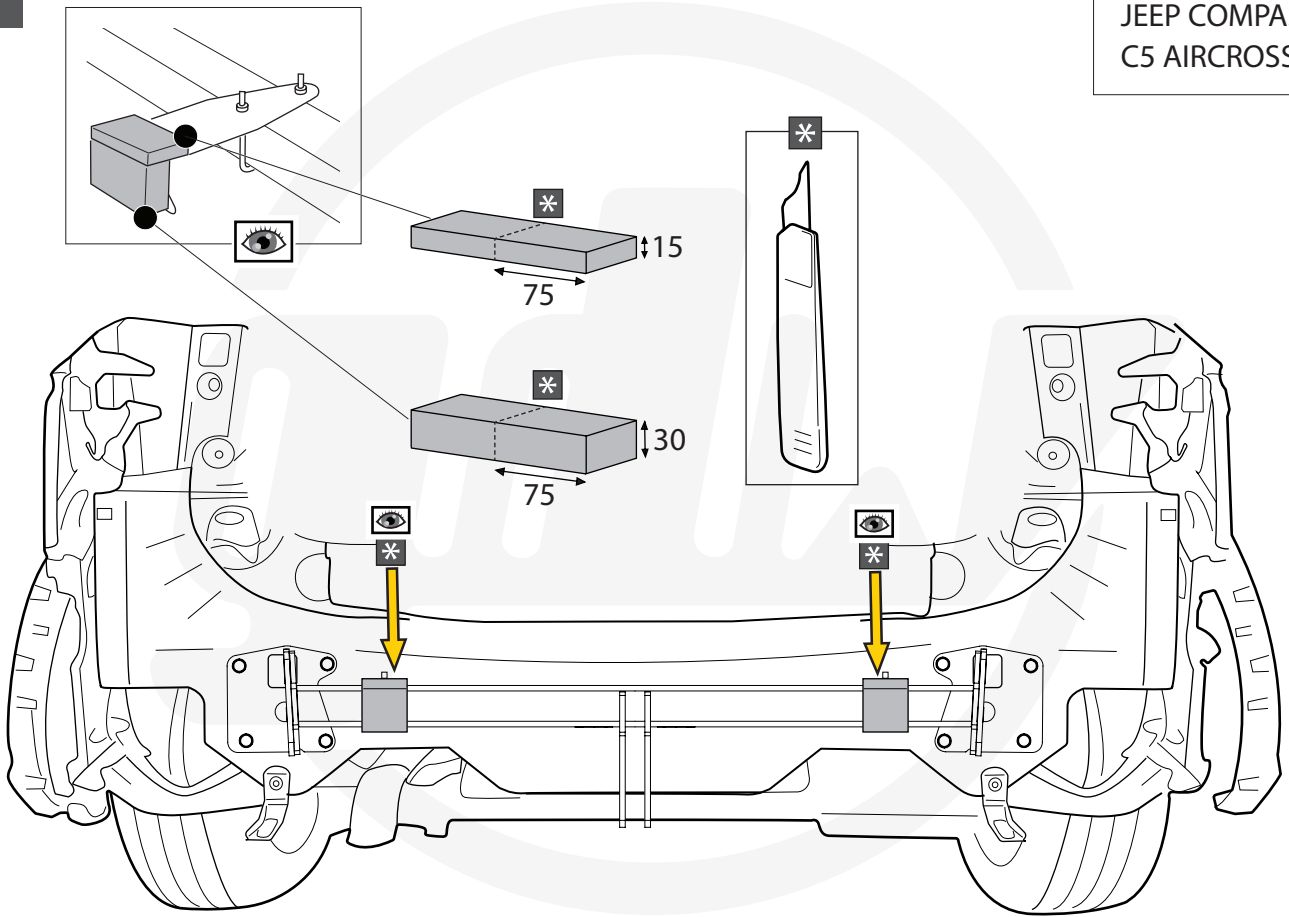






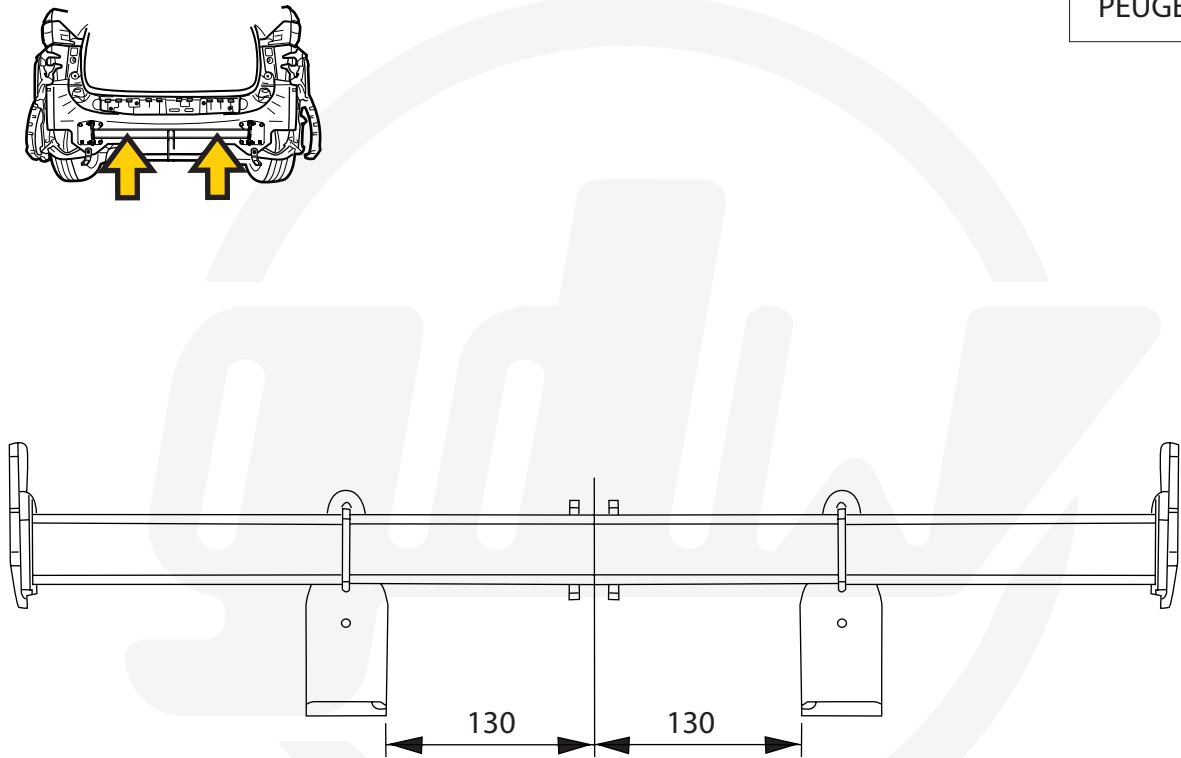
37

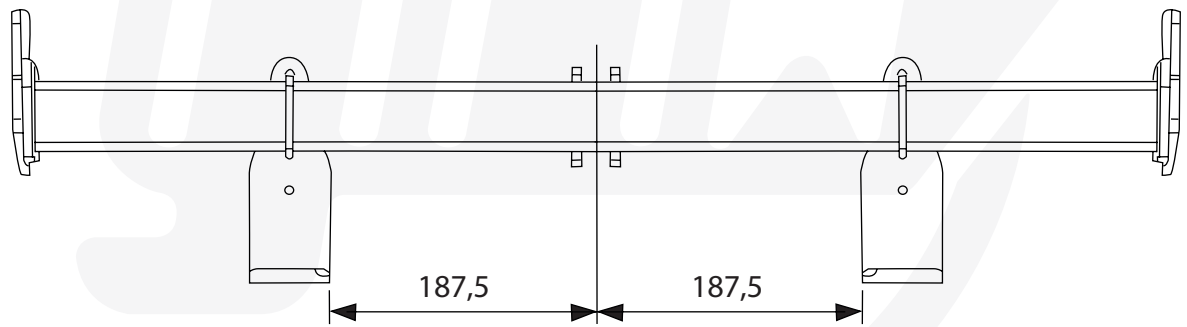
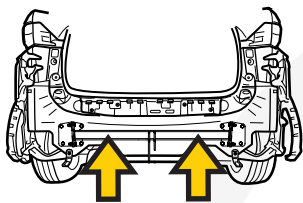
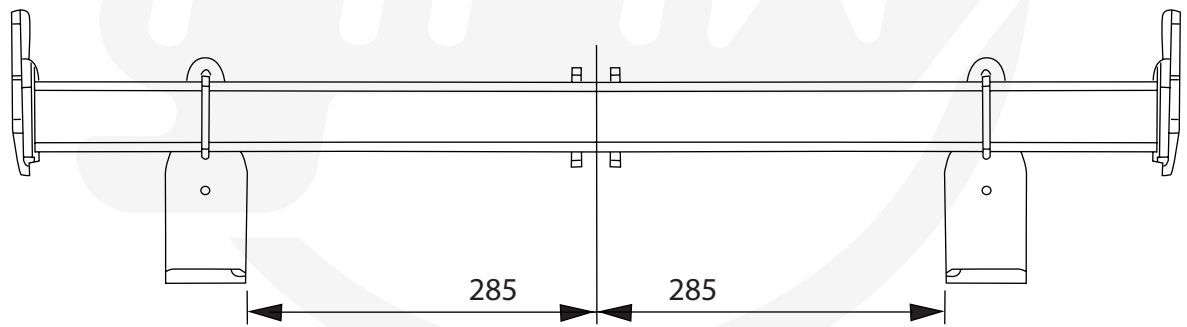
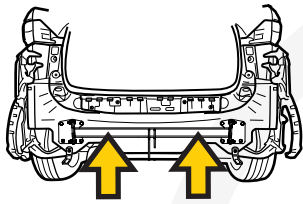
JEEP COMPASS 3  
C5 AIRCROSS

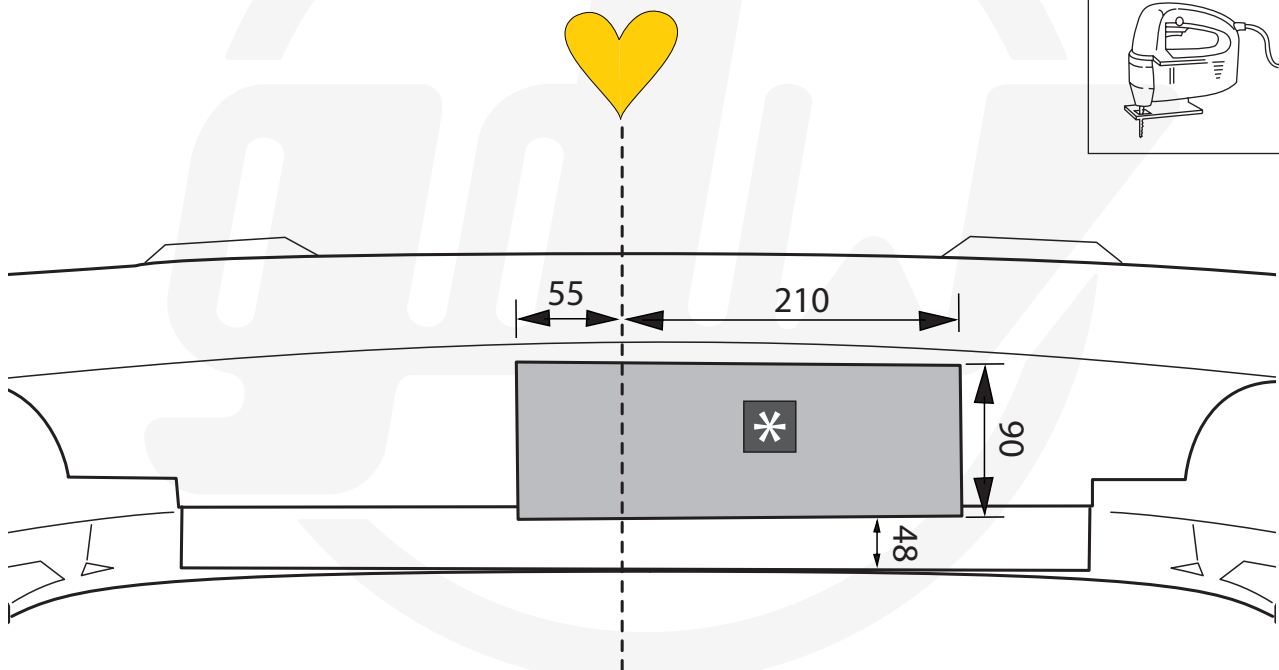
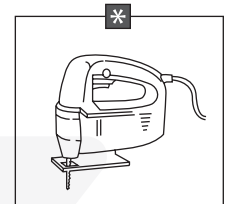
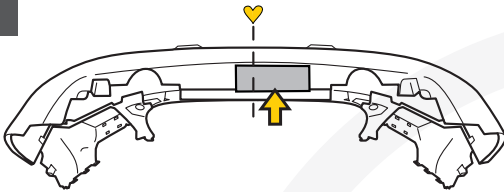
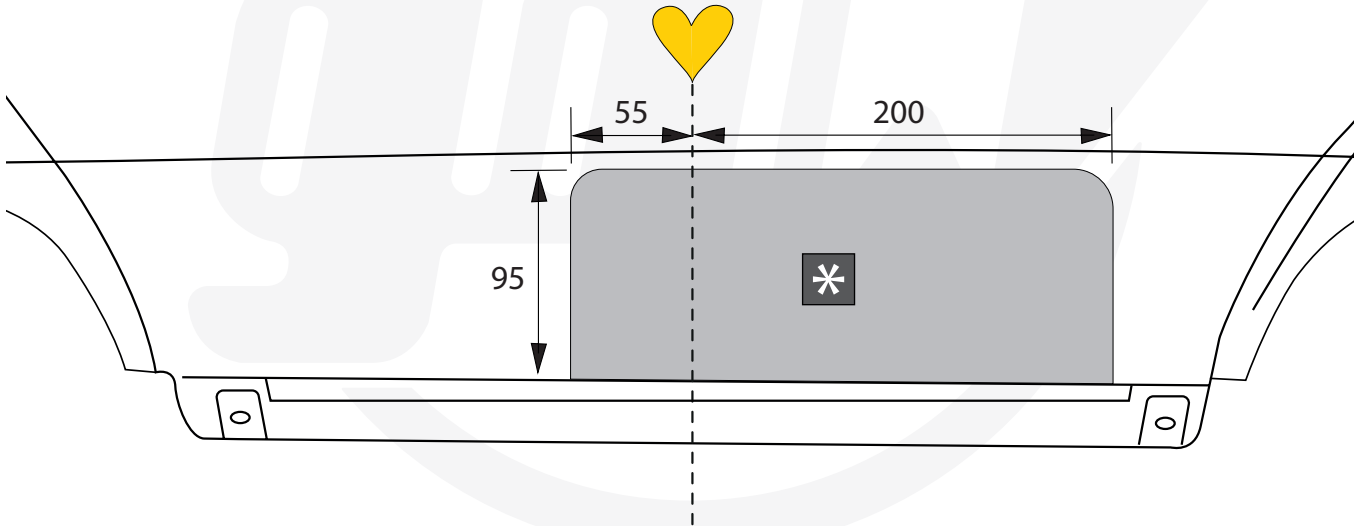
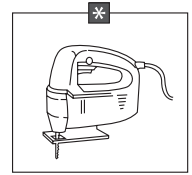
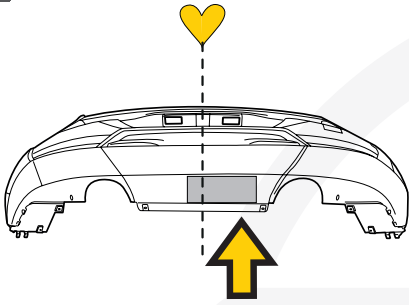


38

PEUGEOT 3008

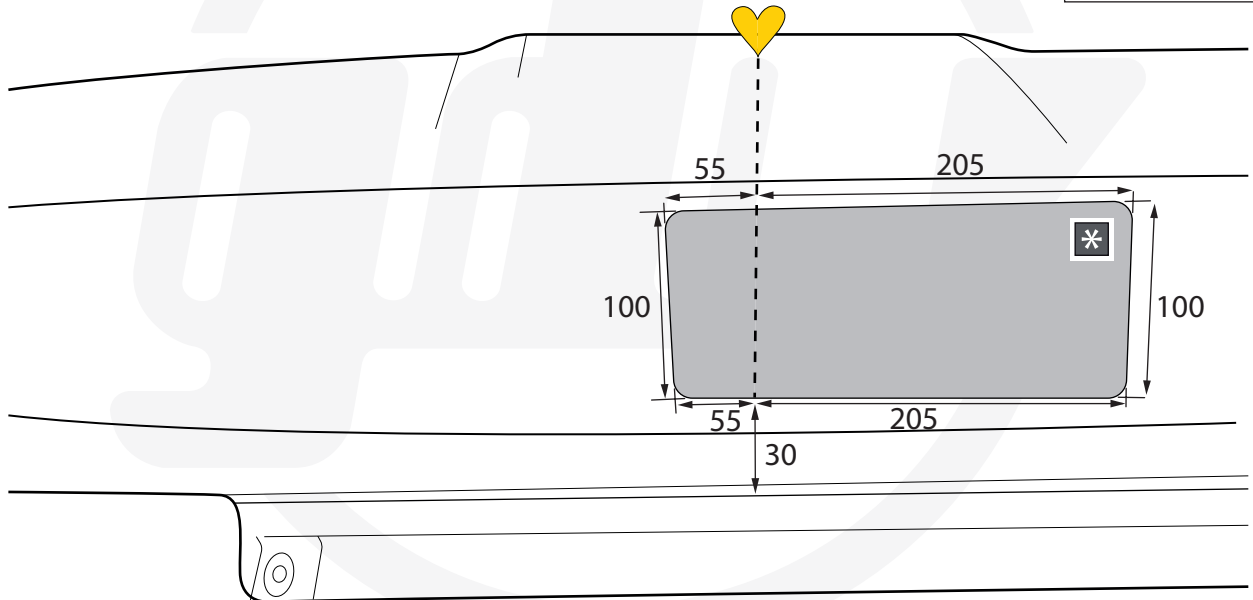
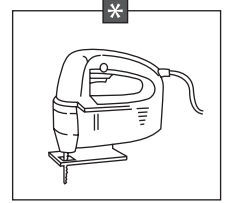
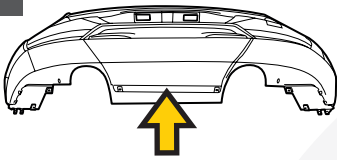






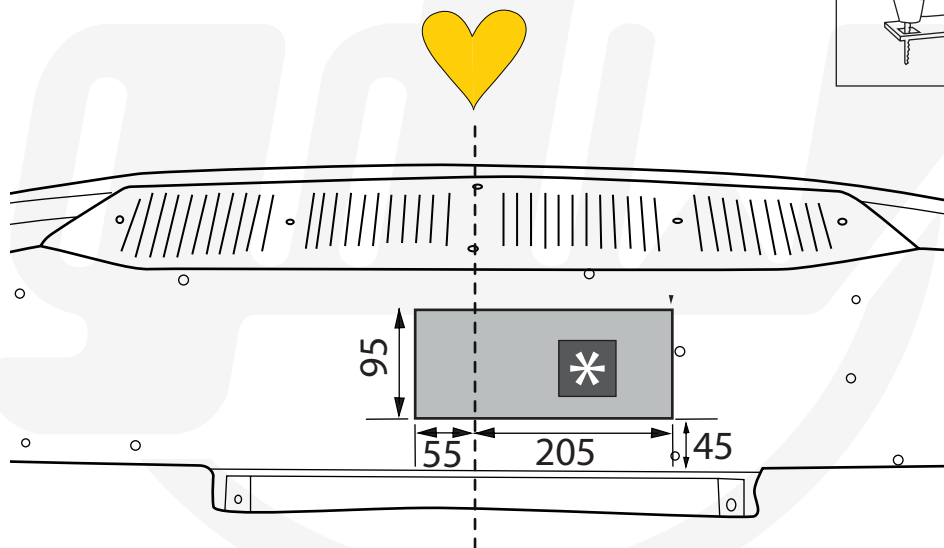
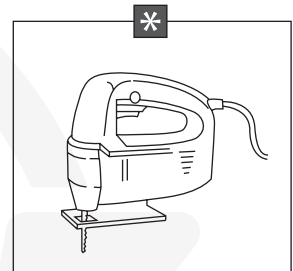
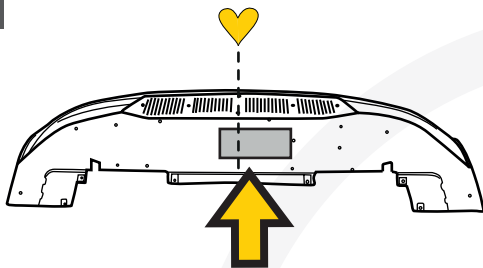
43






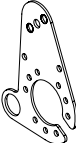

OPEL GRANDL.

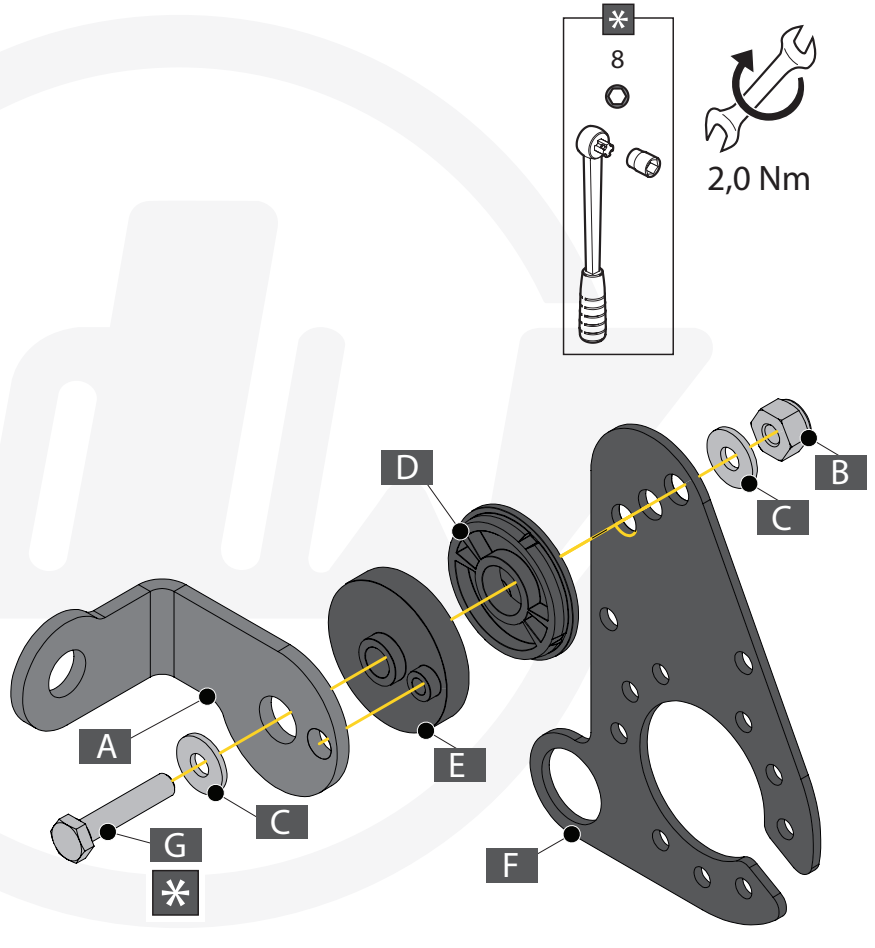



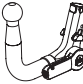



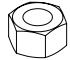
44

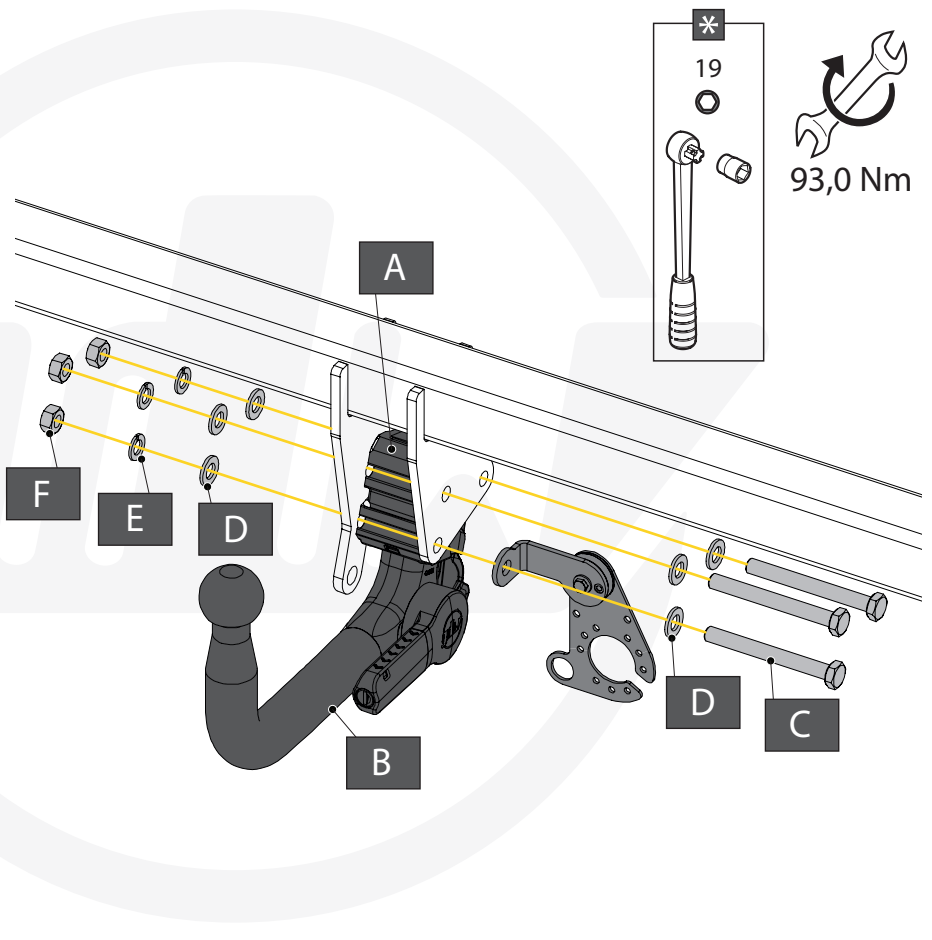
C5 AIRCROSS

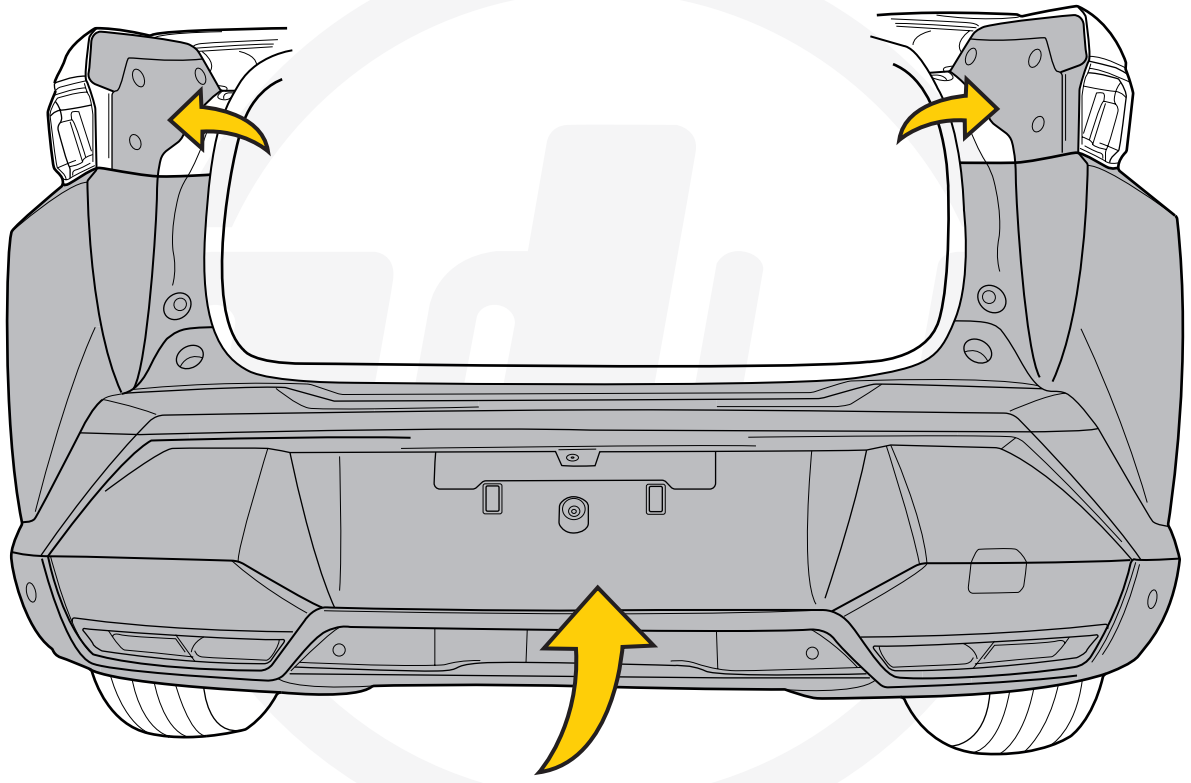


A		X1	GDW REF. 908.101
B		X1	DIN985-M6
C		X2	Ø15,4 X 6,2 X 1,6 (NYLON)
D		X1	GDW REF. 718.16.002
E		X1	GDW REF. 718.16.003
F		X1	GDW REF. 908.094
G		X1	DIN933-M6 X 30



A		X1	GDW REF. 912.003
B		X1	GDW REF. 960. V1208
C		X3	DIN 931-M12X110-8.8
D		X6	DIN 125A-M12
E		X3	GROWER VSK-M12
F		X3	DIN 934-M12





# DICHIARAZIONE DI CORRETTO MONTAGGIO

## DECLARATION OF CORRECT INSTALLATION

La sottoscritta ditta dichiara di aver montato in maniera corretta il dispositivo di traino di cui sotto, **seguendo le prescrizioni del costruttore del veicolo e del costruttore del dispositivo.**

*The undersigned company declares to have correctly mounted the towing device mentioned below, following the prescriptions of the vehicle manufacturer and the construction manufacturer.*

COSTRUTTORE	MANUFACTURER	<b>GDW N.V.</b>
RIFERIMENTO	REFERENCE	<b>3005T60</b>
AUTOVEICOLO	VEHICLE	Peugeot 3008 III (KA, KB, KC) 11/'23-, Citroën C5 Aircross II 07/'25- & Jeep Compass 3 (J4U) 05/'25-, Opel Grandland (OV64) 10/'24-
CLASSE E TIPO DI ATTACO	CLASS	<b>F</b>
APPROVAZIONE	HOMOLOGATION	<b>E1*55R03/00*3755</b>
VALORE D	D VALUE	<b>10,90 kN</b>

### Timbro e firma dell'installatore Stamp & signature of installer

DATA .....  
DATE

MASSA RIMORCHIABILE	TOWABLE MASS	<b>Vedere carta circolazione del veicolo</b> See registration certificate of vehicle
CARICO VERTICALE MAX. S	MAX. VERTICAL LOAD S	<b>80 kg</b>

Per facilitare il controllo della compatibilità del dispositivo di traino sul veicolo, è opportuno confrontare le masse riportate sulla carta di circolazione del veicolo con le masse di riferimento sotto riportate (**T** ed **C**):

*To simplify checking the compatibility of the towing device on the vehicle, it is advisable to compare the masses shown on the vehicle registration certificate with the reference masses shown below (T and C):*

**T** = Massa complessiva del veicolo in kg      *Total vehicle mass in kg*  
**C** = Massa rimorchiabile del veicolo in kg      *Towable mass of the vehicle in kg*

Massa complessiva del veicolo, desunta dalla carta di circolazione (**F2**) in kg .....  
*Total mass of the vehicle, taken from the registration certificate (F2)*

deve essere inferiore od uguale a quella di riferimento **T** (= ..... kg)  
*must be less than or equal to the reference T*

Massa rimorchiabile del veicolo, desunta dalla carta di circolazione (**O1**) in kg .....  
*Towable mass of the vehicle, taken from the registration certificate (O1)*

deve essere inferiore od uguale a quella di riferimento **C** (= ..... kg)  
*must be less than or equal to the reference C*

Se tali condizioni sono verificate il dispositivo **è installabile.** *If these conditions are met, the device can be installed.*

Se tali condizioni non si verificano, si deve procedere al seguente calcolo:

*If these conditions are not met, the following calculation must be made:*

$$D = \frac{T \times C}{T + C} \times 0,00981 = \dots\dots\dots \text{ kN}$$

Se **D** risulta inferiore a **10,90 kN** (valore riportato sulla targhetta e sul presente documento) il dispositivo **può essere installato.**  
*If D is less than 10,90 kN (value shown on the plate and on this document) the device can be installed.*

NOTA ESPLICATIVA  
EXPLANATORY NOTE

